



(12) **United States Design Patent**
Monteparo et al.

(10) **Patent No.:** **US D741,721 S**
(45) **Date of Patent:** **** Oct. 27, 2015**

(54) **ATOMIZER BOTTLE**

(71) Applicant: **Victoria's Secret Stores Brand Management, Inc.**, Reynoldsburg, OH (US)

(72) Inventors: **Sandra Monteparo**, Brooklyn, NY (US); **Natalia Del Rivero**, New York, NY (US)

(73) Assignee: **Victoria's Secret Stores Brand Management, Inc.**, Reynoldsburg, OH (US)

(**) Term: **14 Years**

(21) Appl. No.: **29/496,491**

(22) Filed: **Jul. 14, 2014**

(51) **LOC (10) Cl.** **09-01**

(52) **U.S. Cl.**
USPC **D9/566**

(58) **Field of Classification Search**
USPC D3/202, 203.2, 901; D4/116; D7/313, D7/509-511, 590-612, 619.1; D9/430, D9/449, 450, 453, 454, 502, 504, 516, 519, D9/520, 522, 523, 526, 529, 530, 544, 550, D9/558, 559, 560, 563, 567, 569, 571, 574, D9/682, 686, 689, 719, 774; D19/93; D23/211.1-211.2, 366; D24/121, 124, D24/197, 224; D28/4, 7, 20, 66, 76, 82, 83, D28/85, 88, 89, 91.1; D32/29.1; D34/1, 2, D34/11, 39; 215/62.22, 220, 283-285, 329, 215/396, 398; 220/674, 710, 837; 222/182, 222/209, 252
CPC A45D 33/003; A45D 33/22; A45D 34/00; A45D 40/30; A61J 1/03; A61J 1/05; A47G 19/22; A47G 19/2205; A47G 19/2266; B65D 1/02; B65D 1/0223; B65D 1/08; B65D 1/10

See application file for complete search history.

(56) **References Cited**

U.S. PATENT DOCUMENTS

D158,380 S * 5/1950 Hefter-Louiche D9/544
D211,079 S * 5/1968 Du Pree D7/300

(Continued)

FOREIGN PATENT DOCUMENTS

CA 150771 * 4/2014

OTHER PUBLICATIONS

Victoria's Secret Scandalous Perfume: Announced Oct. 23, 2014 [online], site visited [Jul. 21, 2015]. Available from Internet URL: <http://www.makeupalley.com/product/showreview.asp/ItemId=175169/Scandalous/Victoria-s-Secret/Fragrances.*>

Primary Examiner — Thomas Johannes

Assistant Examiner — Catherine Posthauer

(74) *Attorney, Agent, or Firm* — Andrus Intellectual Property Law, LLP

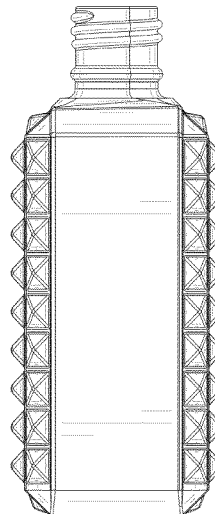
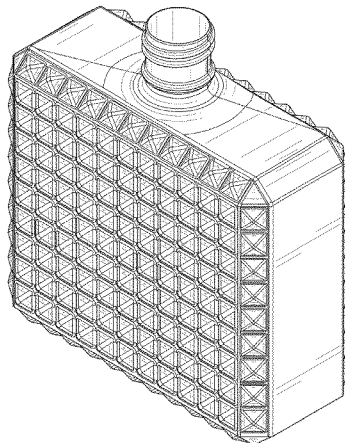
(57) **CLAIM**

The ornamental design for an atomizer bottle, as shown and described.

DESCRIPTION

FIG. 1 is a front perspective view of a first embodiment of an atomizer bottle;
FIG. 2 is a front view thereof;
FIG. 3 is a back view of the atomizer bottle of FIG. 1;
FIG. 4 is a right side view thereof;
FIG. 5 is a left side view thereof;
FIG. 6 is a top view thereof;
FIG. 7 is a bottom view thereof; and,
FIG. 8 is a perspective view thereof, showing the atomizer bottle in a position of use with a nozzle and an atomizer bulb. The broken lines are shown for the purpose of illustrating unclaimed environment and unclaimed portions of the atomizer bottle and form no part of the claimed design.

1 Claim, 8 Drawing Sheets



(56)

References Cited

U.S. PATENT DOCUMENTS

4,804,083	A	*	2/1989	Weeks	206/216	D521,230	S	*	5/2006	Linz et al.	D3/202
D474,693	S	*	5/2003	Gruosi-Scheufele	D9/544	D597,845	S	*	8/2009	Brady	D9/541
D515,929	S	*	2/2006	Steih et al.	D9/522	D606,415	S	*	12/2009	Lavigne et al.	D9/546
D515,930	S	*	2/2006	Steih et al.	D9/522	D660,178	S	*	5/2012	Chen	D9/694
							D710,207	S	*	8/2014	Pinabel	D9/542
							D714,654	S	*	10/2014	Faillant Dumas	D9/682
							D730,317	S	*	5/2015	Silvera	D14/207

* cited by examiner

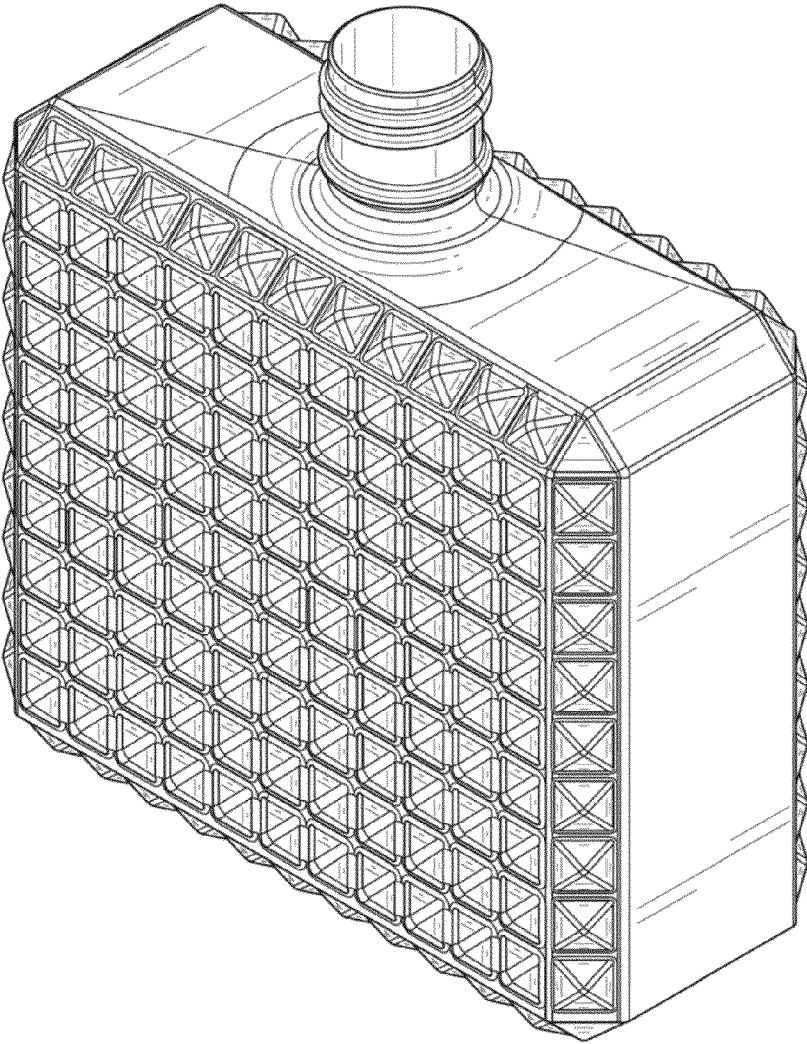


FIG. 1

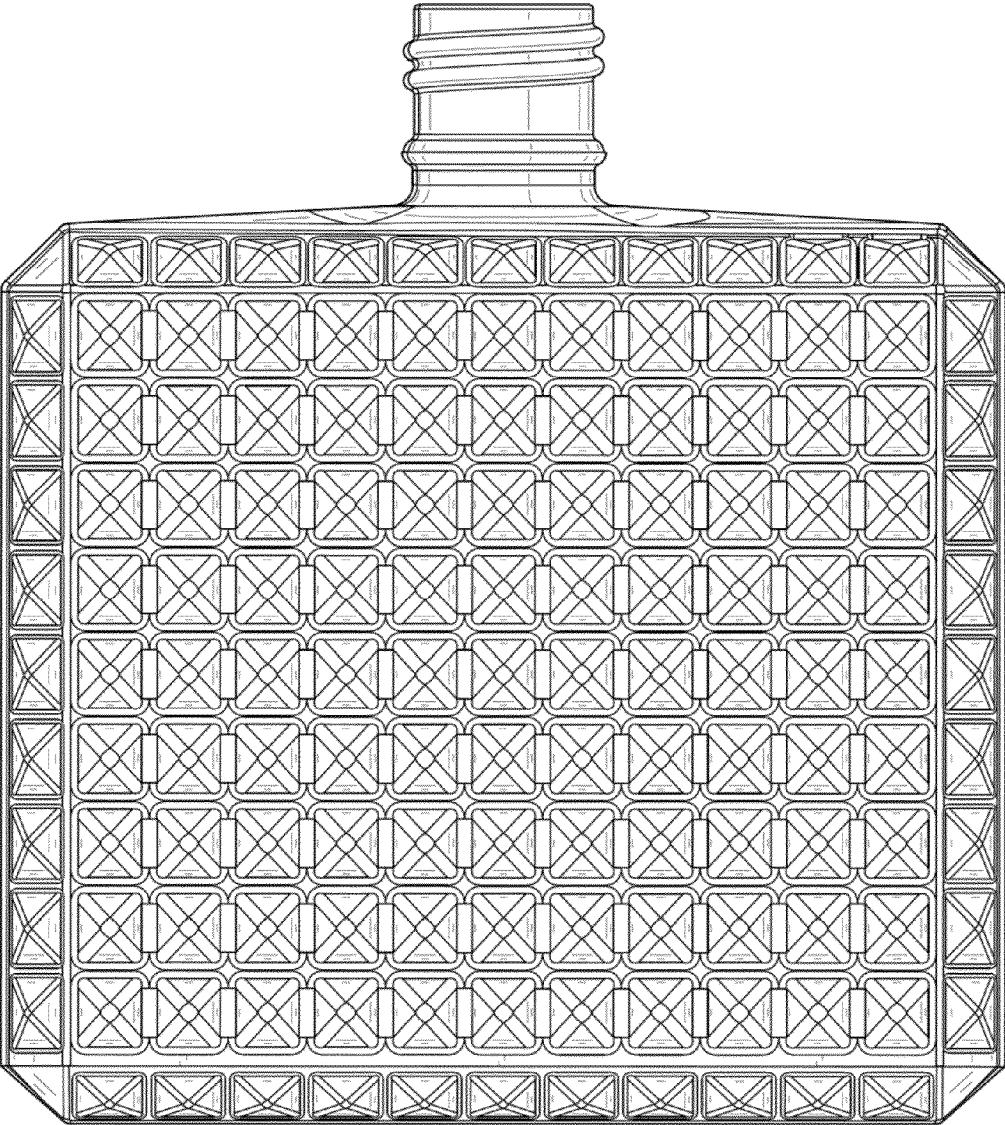


FIG. 2

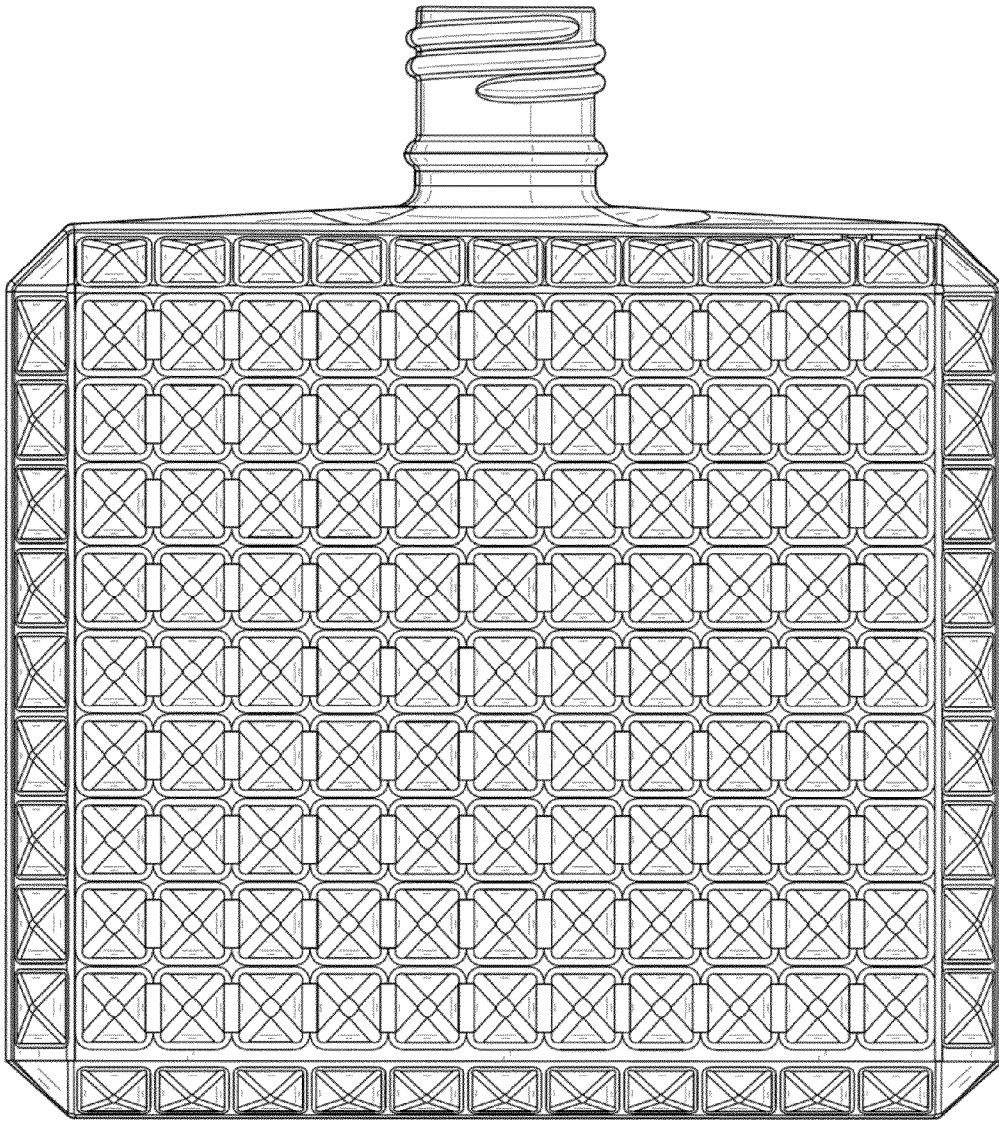


FIG. 3

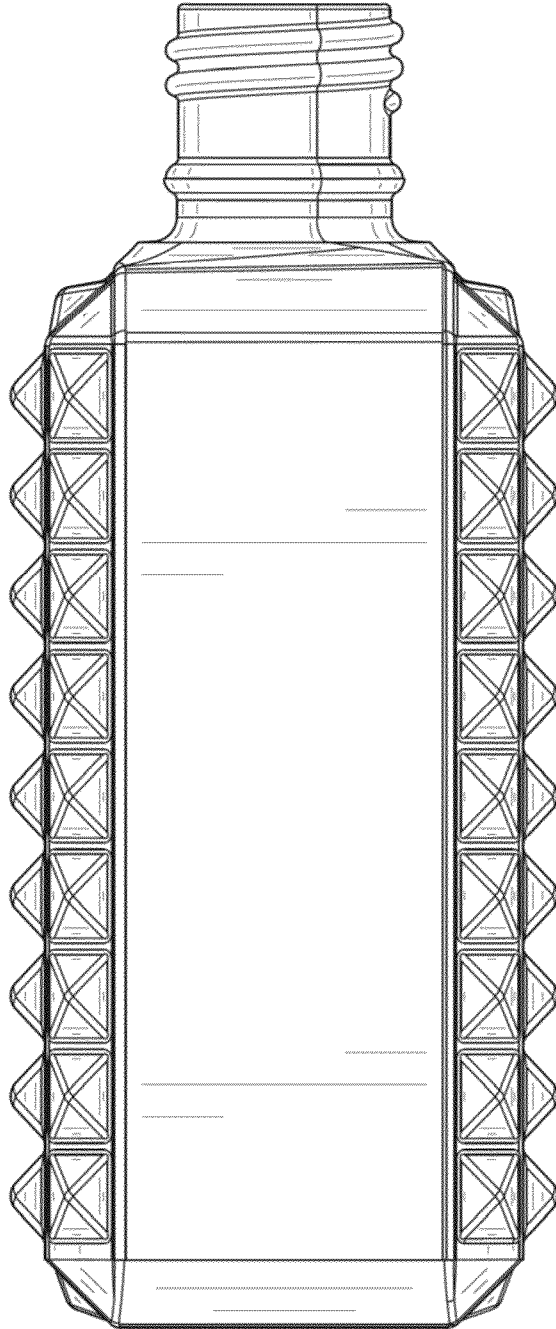


FIG. 4

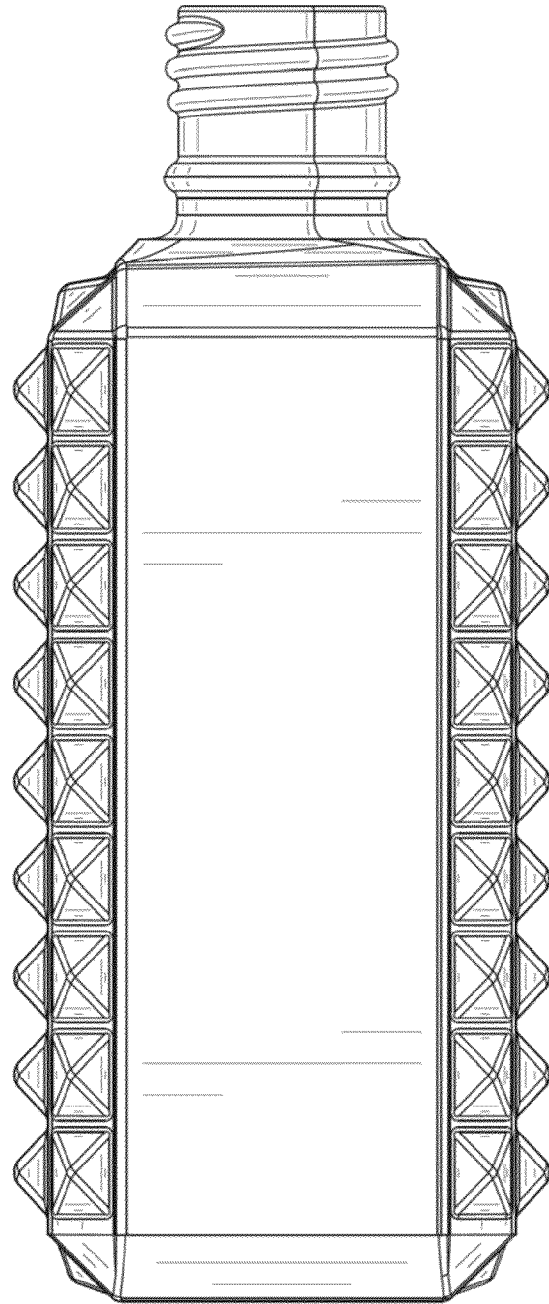


FIG. 5

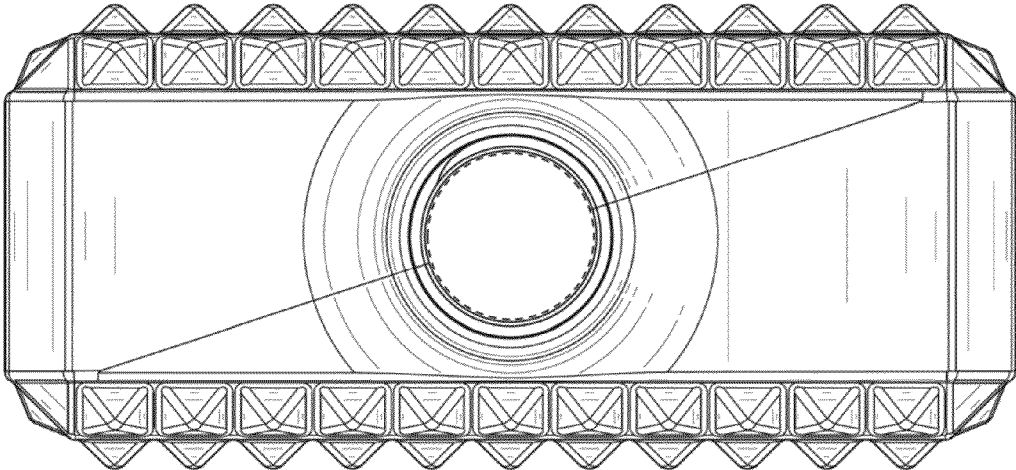


FIG. 6

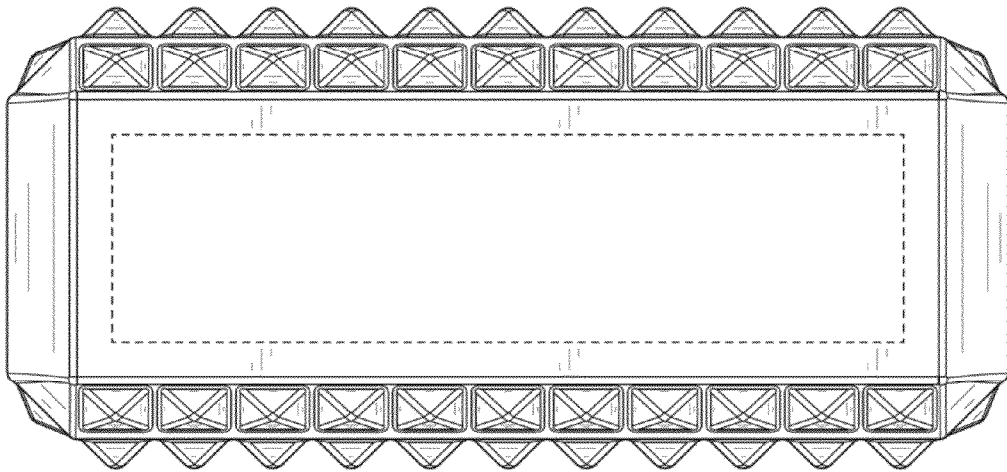


FIG. 7

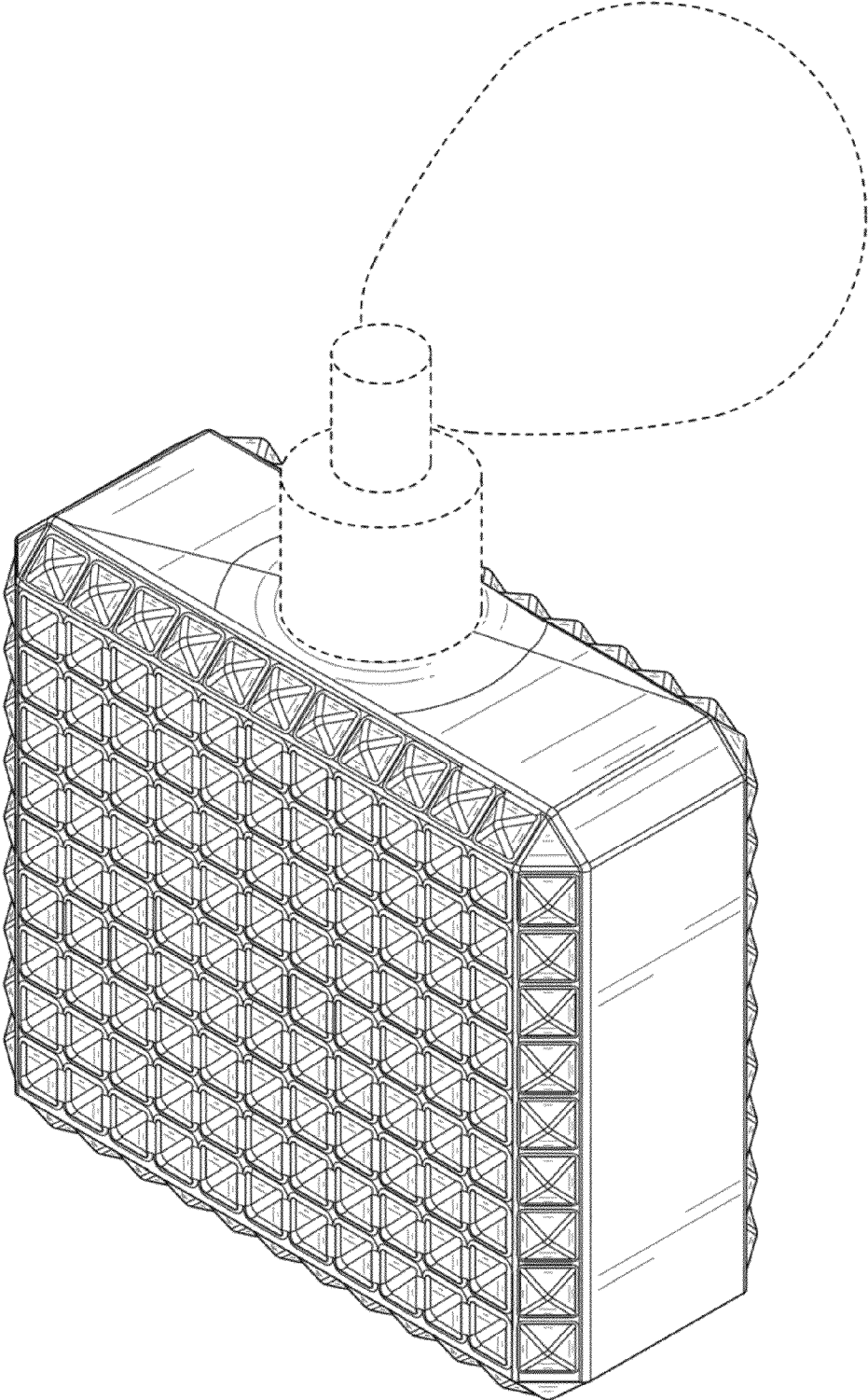


FIG. 8