



US00D737689S

(12) **United States Design Patent**
Monteparo

(10) **Patent No.:** **US D737,689 S**

(45) **Date of Patent:** **** Sep. 1, 2015**

(54) **BOTTLE**

(71) Applicant: **Victoria's Secret Stores Brand Management, Inc.**, Reynoldsburg, OH (US)

(72) Inventor: **Sandra Monteparo**, Brooklyn, NY (US)

(73) Assignee: **Victoria's Secret Stores Brand Management, Inc.**, Reynoldsburg, OH (US)

(**) Term: **14 Years**

(21) Appl. No.: **29/495,349**

(22) Filed: **Jun. 30, 2014**

(51) **LOC (10) Cl.** **09-01**

(52) **U.S. Cl.**
USPC **D9/651; D9/559; D9/566; D9/567; D9/568; D9/574; D9/435**

(58) **Field of Classification Search**
USPC D3/270, 271.1-271.4; D7/514-520, D7/599, 604, 613, 619.2, 623, 628; D9/600, 651, 500, 502-505, 516, D9/537-546, 548-550, 554-561, 566-575, D9/434, 452-454; 206/457, 459.5, 527; 215/387-388, 381-384, 400
CPC B65D 5/4258; B65D 81/60; B65D 81/365; B65D 81/366; B65D 81/368; B65D 2203/00; B65D 2203/02
See application file for complete search history.

(56) **References Cited**

U.S. PATENT DOCUMENTS

D86,584 S *	3/1932	Smith	D9/546
D97,681 S *	12/1935	Larsen	D9/651
D124,598 S *	1/1941	Brodovitch	D9/651
D187,886 S *	5/1960	Hurlstone	D9/566

D277,455 S *	2/1985	Tordjman	D9/546
D289,142 S *	4/1987	Bijaoui	D9/546
D515,194 S *	2/2006	Chen	D9/566
D622,613 S *	8/2010	Baron	D9/651
D626,422 S *	11/2010	Lloyd	D9/566
D698,259 S *	1/2014	Ngjelo	D9/651
D703,058 S	4/2014	De Baschmakoff et al.		
D703,546 S	4/2014	De Baschmakoff et al.		
D708,789 S *	7/2014	Schlatter	D9/651
D711,236 S *	8/2014	Friesen et al.	D9/566

FOREIGN PATENT DOCUMENTS

EM	00231098-0001	10/2013
EM	002313098-0002	10/2013

(Continued)

OTHER PUBLICATIONS

Ben Bridge Flawless, <http://benbridgejeweler.wordpress.com/>, web site visited on Jul. 1, 2014.

(Continued)

Primary Examiner — Sandra Morris

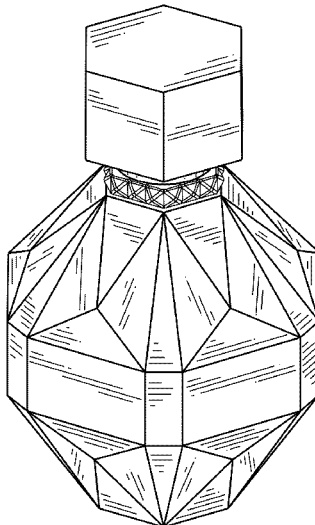
(74) *Attorney, Agent, or Firm* — Andrus Intellectual Property Law, LLP

(57) **CLAIM**
The ornamental design for a bottle, as shown.

DESCRIPTION

FIG. 1 is a front perspective view of a bottle;
FIG. 2 is a front view thereof;
FIG. 3 is a left side view thereof;
FIG. 4 is a back view thereof;
FIG. 5 is a right side view thereof;
FIG. 6 is a top view thereof; and,
FIG. 7 is a bottom view thereof.
The broken line showing of the bottom in FIG. 7 is for illustrative purposes only, and forms no part of the claimed design.

1 Claim, 4 Drawing Sheets



(56)

References Cited

FOREIGN PATENT DOCUMENTS

EM 002462176-0001 5/2014
EM 002462176-0002 5/2014

OTHER PUBLICATIONS

Jimmy Choo, http://www.sephora.com/jimmy-choo-P304901?icid2=JimmyChoo_BestSellers_Carousel_P304901_image, web site visited on Jul. 1, 2014.

Katy Perry Killer Queen, <https://www.katyperryfragrances.com/killer-queen>, web site visited on Jul. 1, 2014.

One Direction Our Moment, <http://onedirection.edenparfums.com/>, web site visited on Jul. 1, 2014.

Viktor & Rolf Flowerbomb, http://www.sephora.com/flowerbomb-P255506?skuld=1233139&om_mmc=ppc-GG&mkwid=pdZKNz9d&pclid=44432898999&pdv=c&site=us_search&country_switch=us&lang=en, web site visited on Jun. 3, 2014.

* cited by examiner

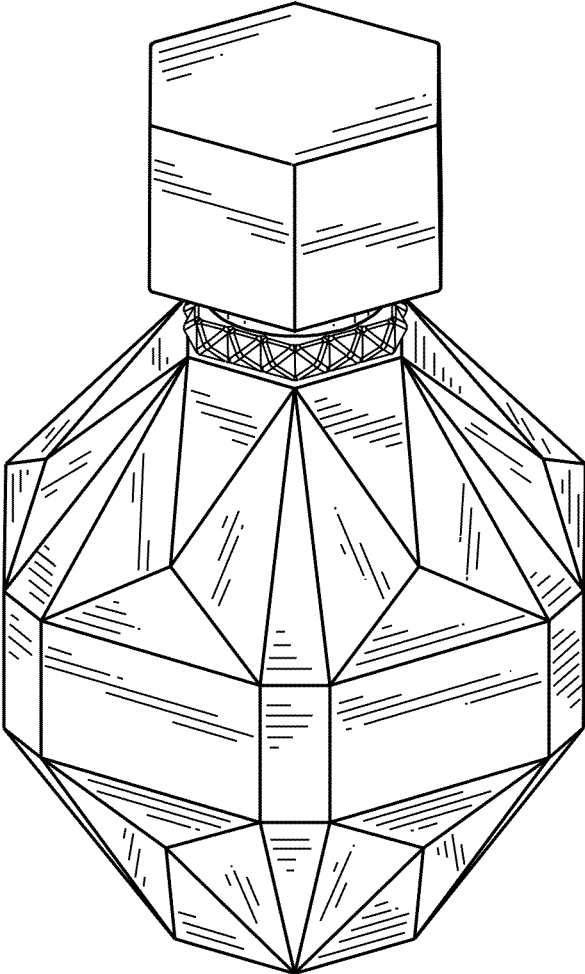


FIG. 1

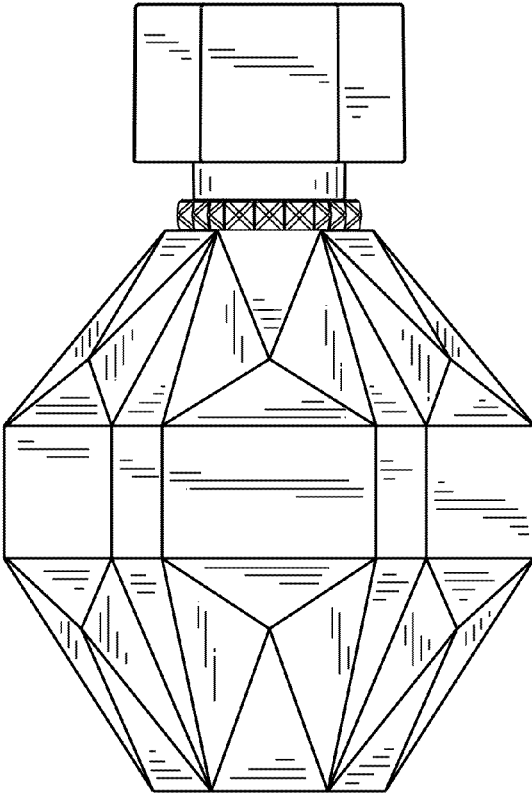


FIG. 2

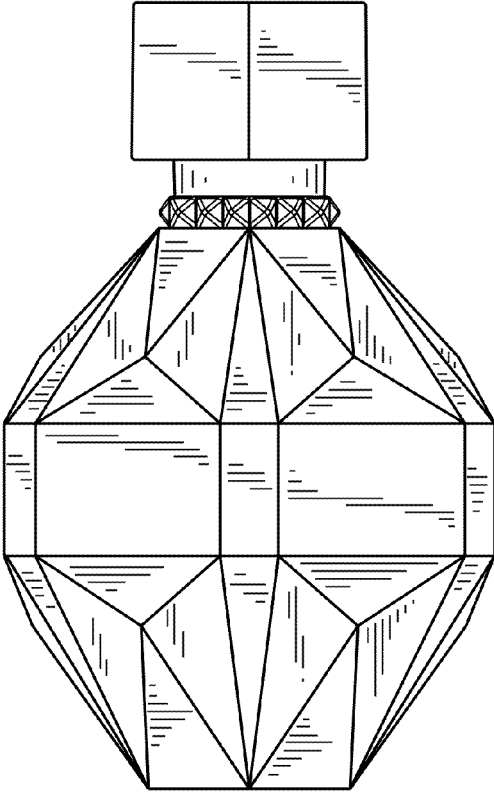


FIG. 3

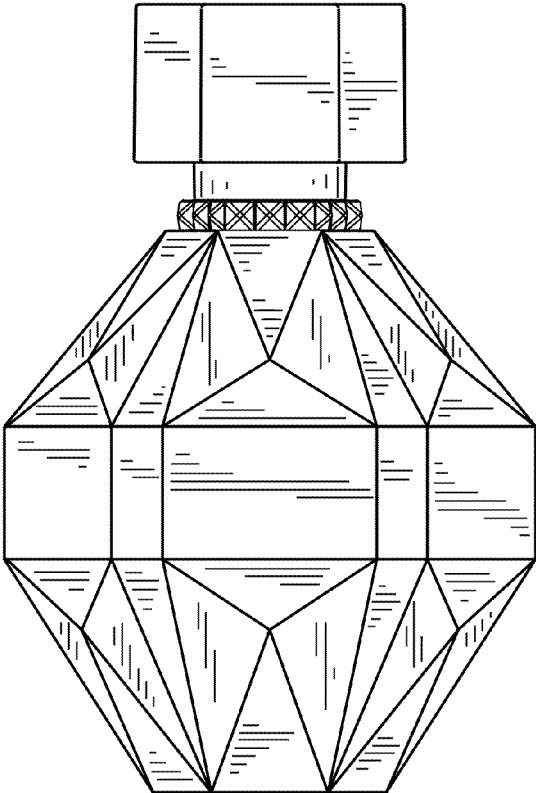


FIG. 4

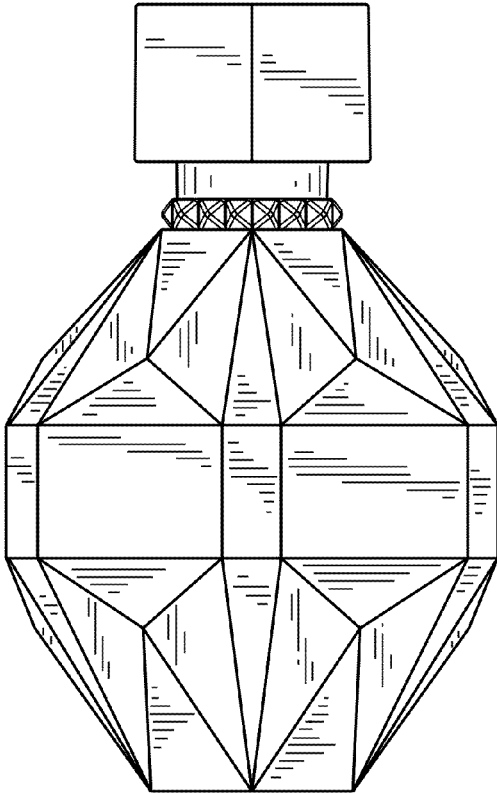


FIG. 5

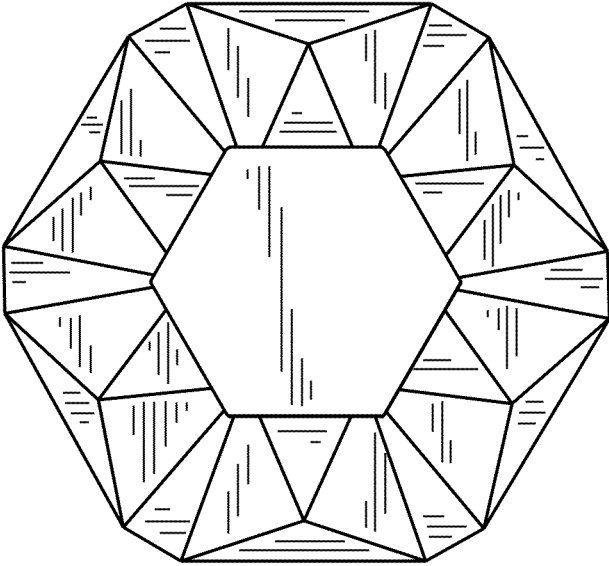


FIG. 6

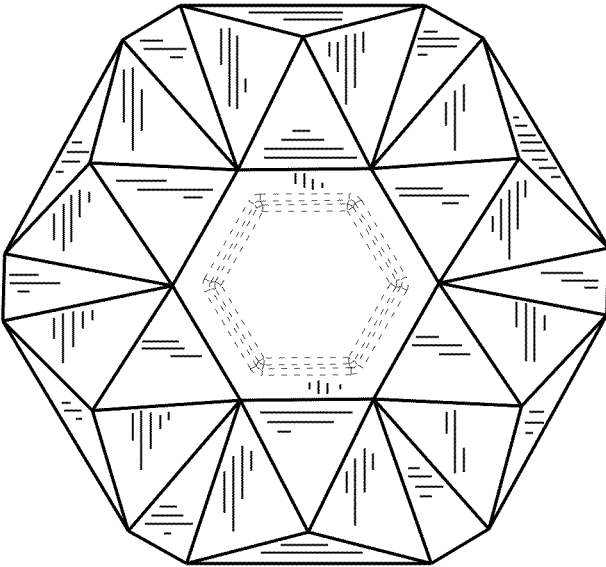


FIG. 7