



US00D881516S

(12) **United States Design Patent**
Martinet et al.

(10) **Patent No.:** **US D881,516 S**

(45) **Date of Patent:** **** Apr. 21, 2020**

- (54) **BRASSIERE**
- (71) Applicant: **Victoria’s Secret Stores Brand Management, Inc.**, Reynoldsburg, OH (US)
- (72) Inventors: **Nathalie Martinet**, Saikung (HK); **Ursula Giovanna Todaro**, Glendale, NY (US)
- (73) Assignee: **Victoria’s Secret Stores Brand Management, Inc.**, Reynoldsburg, OH (US)

Primary Examiner — Manpreet S Matharu
Assistant Examiner — J. Thorn, Sr.
 (74) *Attorney, Agent, or Firm* — Andrus Intellectual Property Law, LLP

- (**) Term: **15 Years**
- (21) Appl. No.: **29/648,895**
- (22) Filed: **May 24, 2018**
- (51) **LOC (12) Cl.** **02-01**
- (52) **U.S. Cl.**
- USPC **D2/706**
- (58) **Field of Classification Search**
USPC D2/706–709; 450/1, 14–15, 17, 26
(Continued)

(57) **CLAIM**
 The ornamental design for a brassiere, as shown and described.

DESCRIPTION

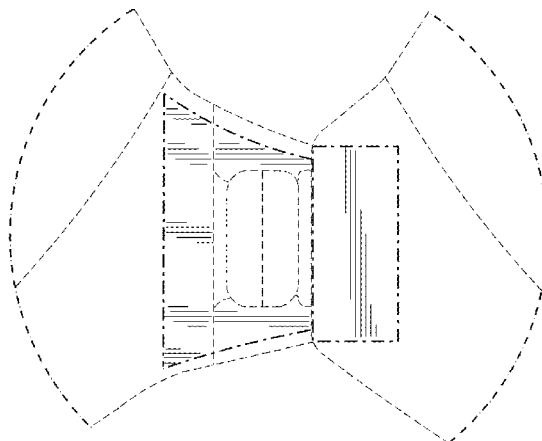
FIG. 1 is a front right side perspective view of a first embodiment of a brassiere according to our new and ornamental design;
 FIG. 2 is a rear left side perspective view thereof;
 FIG. 3 is a front right side perspective view of the brassiere of FIG. 1 shown in an alternate position, wherein the center clasp of the brassiere is closed;
 FIG. 4 is a front elevation view thereof;
 FIG. 5 is an enlarged front view of the center clasp within the dash-dot-dash circular outline on FIG. 4, wherein the center clasp of the brassiere is closed;
 FIG. 6 is an enlarged front view of the center clasp within the dash-dot-dash circular outline on FIG. 4, wherein the center clasp of the brassiere is open;
 FIG. 7 is an enlarged rear view of the center clasp within the dash-dot-dash circular outline on FIG. 4, wherein the center clasp of the brassiere is open;
 FIG. 8 is a front right side perspective view of a second embodiment of a brassiere according to our new and ornamental design;
 FIG. 9 is a rear left side perspective view thereof;
 FIG. 10 is a front elevation view thereof; and,
 FIG. 11 is an enlarged front view of the center clasp within the dash-dot-dash circular outline on FIG. 10, wherein the center clasp of the brassiere is closed.
 The broken lines in FIGS. 1-11 illustrate portions of the brassiere that form no part of the claimed design. The dash-dot-dash lines between the solid line portions and the broken line portions of the brassiere show the boundaries of the claimed design and form no part of the claimed design.

- (56) **References Cited**
- U.S. PATENT DOCUMENTS**
- D45,287 S 2/1914 Burns et al.
- 2,390,142 A 12/1945 Witkower
(Continued)
- FOREIGN PATENT DOCUMENTS**
- EM 001352546-0007 6/2013
- EM 001352546-0008 6/2013
- EM 003091024-0001 1/2017

OTHER PUBLICATIONS
 Aiyihan, “Women’s Crossback Yoga Sports Bra Crop Tops Comfort Bralette”, <https://www.amazon.com/AYIHAN-Womens-Crossback-Comfort-Bralette/dp/B011GGQ058>, available at least as early as Sep. 18, 2017.

(Continued)

(Continued)



The dash-dot-dash circular outlines on FIGS. 4 and 10 show locations of enlarged views for other Figures and form no part of the claimed design.

1 Claim, 8 Drawing Sheets

(58) **Field of Classification Search**
 CPC A41C 3/02; A41C 3/12; A41C 3/00
 See application file for complete search history.

(56) **References Cited**

U.S. PATENT DOCUMENTS

2,609,540	A	9/1952	Lo Cascio	
D194,745	S *	3/1963	Cole	D2/707
D214,009	S *	5/1969	Sache	D2/707
4,538,614	A	9/1985	Henderson	
4,718,878	A	1/1988	Tullio	
4,816,005	A	3/1989	Braaten	
D403,486	S	1/1999	Chetwynd	
5,946,726	A	9/1999	Green	
6,149,496	A *	11/2000	Fildan	A41C 3/02 24/694
6,165,045	A	12/2000	Miller et al.	
6,168,498	B1	1/2001	Wagner	
6,186,861	B1	2/2001	Flaherty	
D438,691	S	3/2001	Zagame	
7,090,558	B2	8/2006	Ott	
7,588,479	B2	9/2009	Falla	
D635,329	S	4/2011	Wahl et al.	
7,922,682	B2	4/2011	Bell et al.	
D641,133	S	7/2011	Zarabi	
8,523,629	B2	9/2013	Pundyk	
D690,905	S	10/2013	Eutsey et al.	
8,832,862	B1	9/2014	Solis	
D724,817	S	3/2015	Randall	
D744,718	S	12/2015	Randall	
D763,545	S *	8/2016	Morin	D2/706
D765,946	S *	9/2016	DeCotiis	D2/706
9,578,901	B2	2/2017	Randall et al.	
2003/0166376	A1 *	9/2003	Hanson	A41C 3/0092 450/58
2007/0161329	A1 *	7/2007	Torrey	A41C 3/0092 450/1
2008/0153389	A1 *	6/2008	Nobbs	A41C 3/02 450/58
2011/0067162	A1	3/2011	Solis	
2011/0104985	A1	5/2011	Linder et al.	
2012/0021669	A1	1/2012	Johnstone	
2012/0045967	A1 *	2/2012	Punsal	A41C 3/0057 450/82
2015/0044940	A1 *	2/2015	McKeen	450/1
2015/0264982	A1	9/2015	Randall et al.	
2017/0265530	A1 *	9/2017	Donlon	A41C 3/0014
2018/0332905	A1 *	11/2018	Stephens	A41C 3/0064

OTHER PUBLICATIONS

Victoria's Secret, Brassiere, photograph of brassiere, date unknown, admitted prior art.

XXIV Active, Brassiere, photograph of brassiere, date unknown, admitted prior art.

Anita, "Active Front Close Sports Bra", <http://www.herroom.com/anita-5523-active-front-close-sports-bra.shtml>, web site visited on May 9, 2014.

Body Central, "Zip Front Sports Bra", <http://www.bodycentral.com/products/zip-front-sports-bra/>, web site visited on May 9, 2014.

Fruit of the Loom, "Front Close Racerback Sport Bra", <http://www.walmart.com/ip/Fruit-of-the-Loom-Front-Close-Racerback-Sport-Bra-2-pack-FT390/33102925>, web site visited on May 20, 2015.

Playtex, "Play Zip Zip Hurray Front-Close Wirefree Bra", [http://www.championusa.com/workout-clothes/women/sports-bras/everyday-bras-85068-1/playtex-play-zip-zip-hurray-wirefree-bra-25658?cm_vc=OnsiteSearch&csSearchTerm=playtex play zip zip](http://www.championusa.com/workout-clothes/women/sports-bras/everyday-bras-85068-1/playtex-play-zip-zip-hurray-wirefree-bra-25658?cm_vc=OnsiteSearch&csSearchTerm=playtex%20play%20zip), web site visited on May 9, 2014.

CW-X, "XTEMPO Running Bra", <http://cw-x.com/ExploreProducts.aspx?product=bras&by=collection&gender=womens>, web site visited on May 9, 2014 and Dec. 15, 2014.

Danskin, "Danskin Now—Front Close Deep Plunge Sport Bra", <http://www.walmart.com/ip/Danskin-Now-Front-Close-Deep-Plunge-Sport-Bra/17480246>, web site visited on May 20, 2014.

Fruit of the Loom, "Comfort Front-Close Sports Bra", <http://www.walmart.com/ip/Fruit-of-the-Loom-Comfort-Front-Close-Sports-Bra-Style-96014/13997192>, web site visited on May 20, 2014.

Enell, "Sports Bra 100", <http://www.herroom.com/enell-100-sports-bra.shtml>, web site visited on May 20, 2014.

Enell, "Lite Sports Bra NL101", http://www.herroom.com/Enell-NL101-Lite-Sports-Bra.shtml?utm_source=adv&utm_medium=search&device=c&network=g&matchtype=&utm_campaign=pla, web site visited on May 20, 2014.

Champion, "The Zip Sports Bra", <http://www.hanes.com/champion/womens-workout/sports-bras/shop-all-bras/champion-the-zip-sports-bra-cb7920>, web site visited on Dec. 15, 2014.

Lululemon Athletica, "Lift & Separate IV", <http://shop.lululemon.com/products/clothes-accessories/bras-medium-support/Lift-And-Separate-IV?cc=7501&skuId=3533091&catId=bras-medium-support>, web site visited on May 20, 2014.

Nike, "Women's Pro Bra Zip Front", http://www.tennisexpress.com/NIKE-Womens-Pro-Bra-Zip-Front-32275?utm_source=google&utm_medium=cse&utm_term=k=&gclid=CMSQ8qiQu74CFXQIMgodhCsAQQ, web site visited on May 20, 2014.

Playtex, "Women's Play Zip Zip Hurray Wirefree Racerback Bra", <http://www.amazon.com/Playtex-Womens-Hurray-Wirefree-Racerback/dp/B00FXT66ME>, web site visited on May 20, 2014.

Shock Absorber, "Active Zipped Plunge", <http://shockabsorber.co.uk/en/products/active-range/active-zipped-plunge/>, web site visited on May 20, 2014.

Spanx, "Top-Notch Sports Bra", http://www.spanx.com/shop/spanx/active/style/sports-bras/top-notch-sports-bra-zid38-1942/cat-38-catid-fncat_spx_act_styl_br-sprt, web site visited on May 20, 2014.

Under Armour, "Armour Bra Protegee D Cup", <http://www.underarmour.com/shop/us/en/armour-bra-protege-d-cup/pid1236592>, web site visited on May 20, 2014.

Valmont, "Zip Front Sports Bra", <http://www.hanes.com/justmysize/active/plus-styles/plussize-sports-bra/valmont-zip-front-sports-bra-20357>, web site visited on May 20, 2014.

Campos, Antonio, "Brassiere", unpublished U.S. Appl. No. 29/645,657, filed Apr. 27, 2018.

* cited by examiner

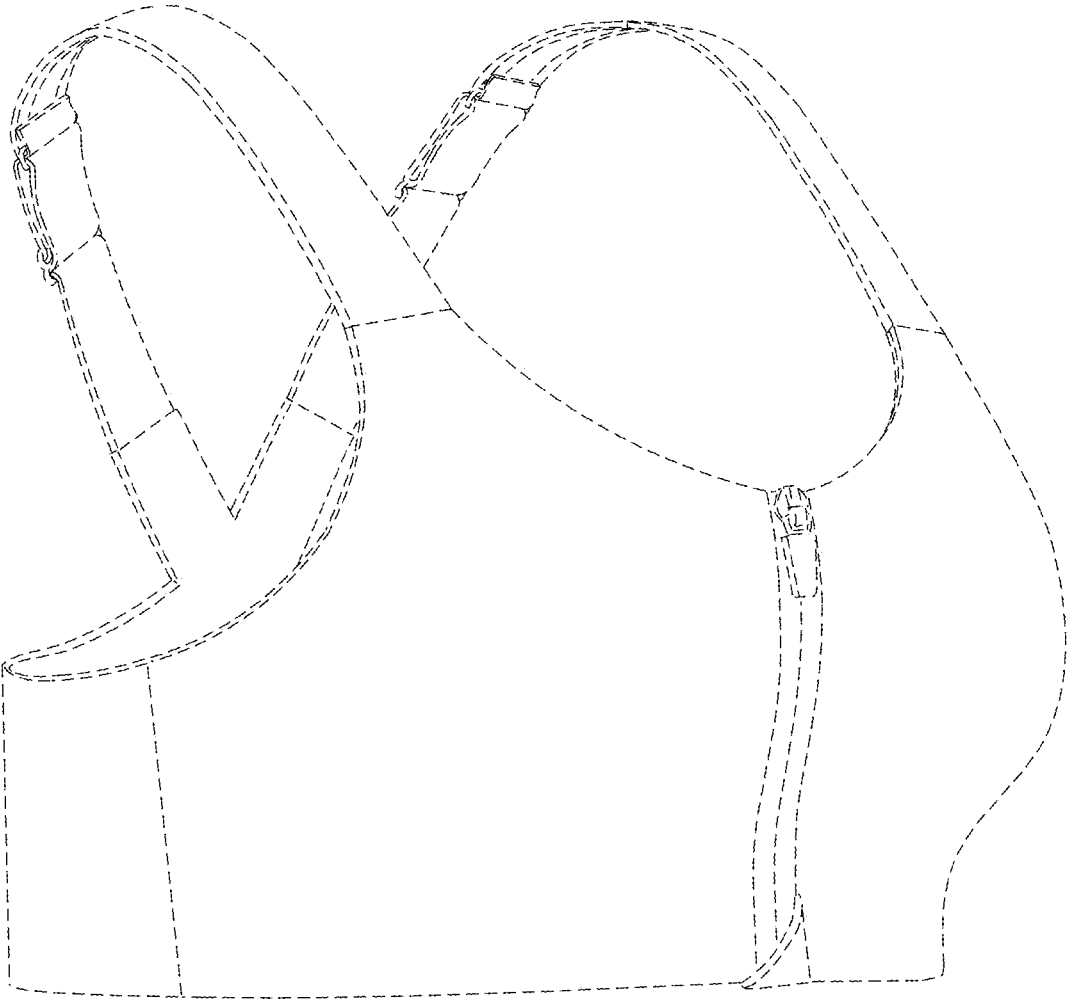


FIG. 1

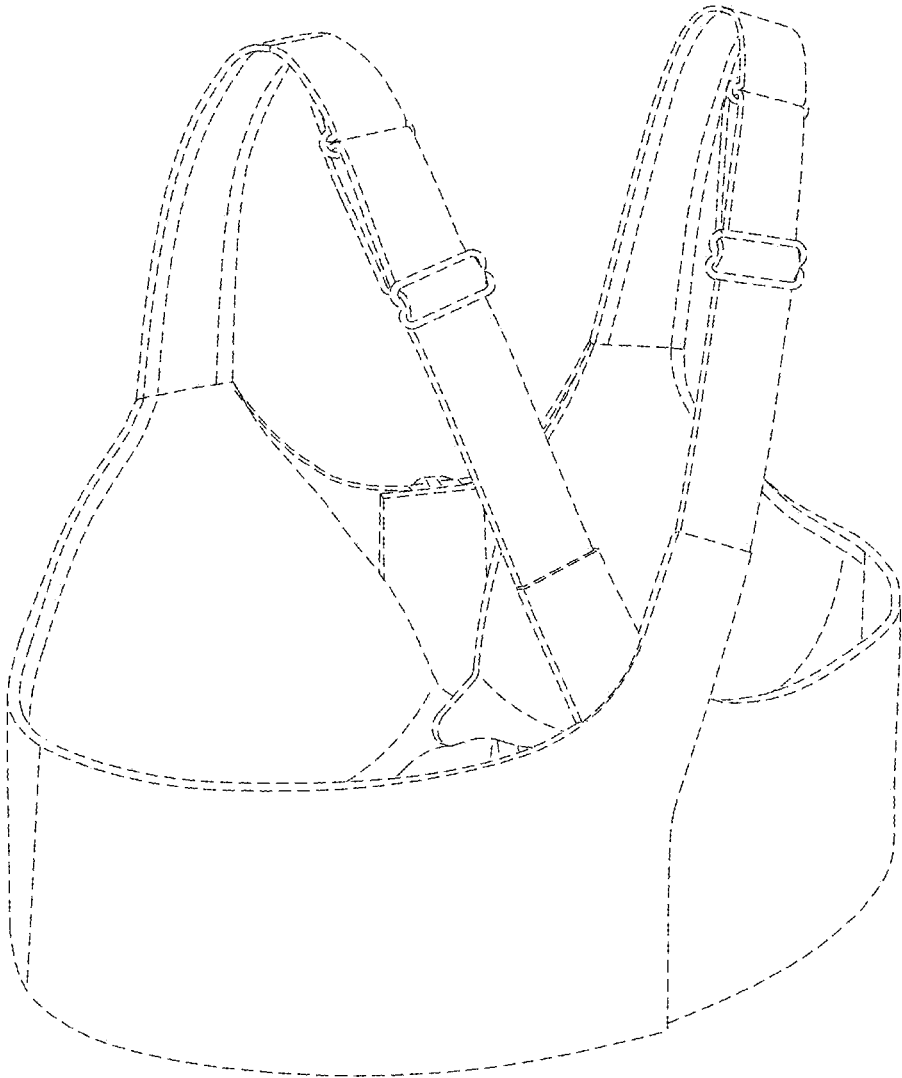


FIG. 2

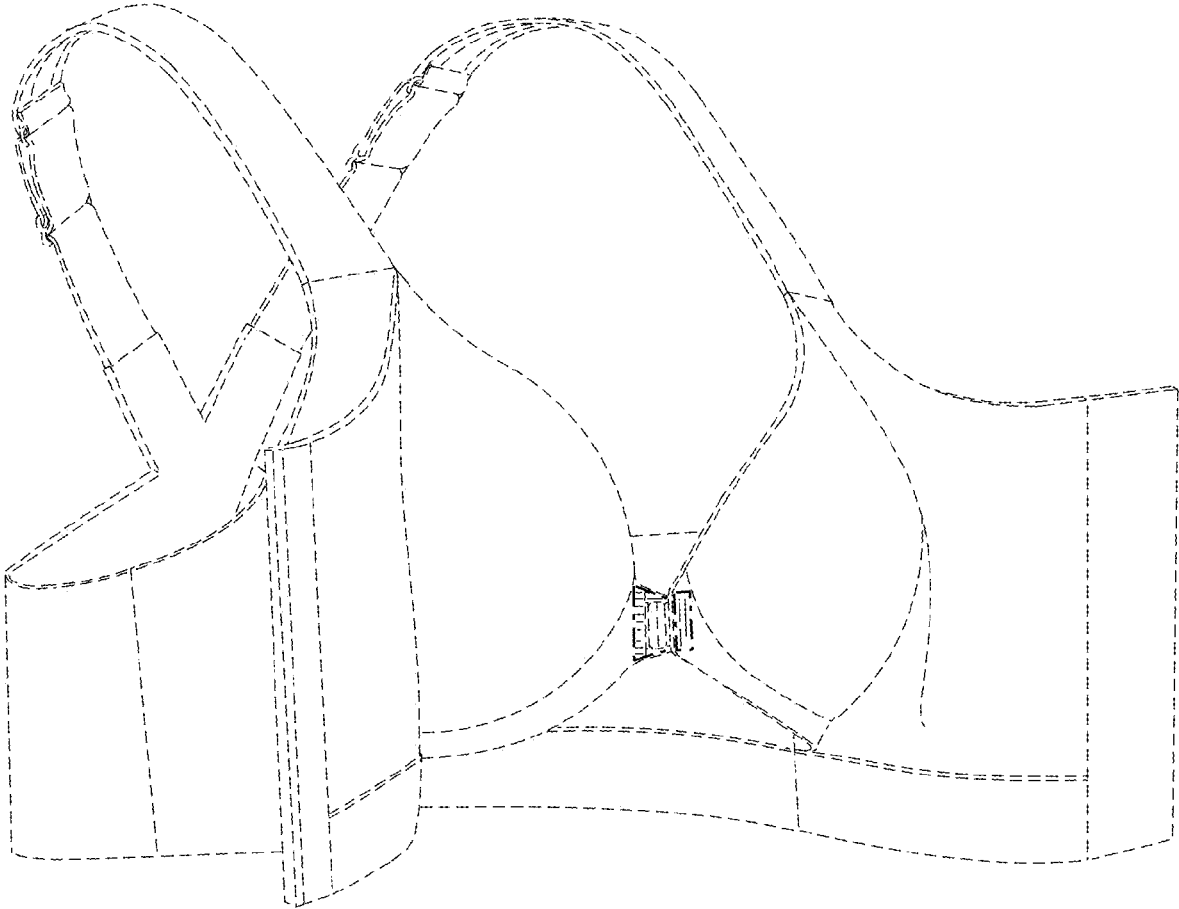


FIG. 3

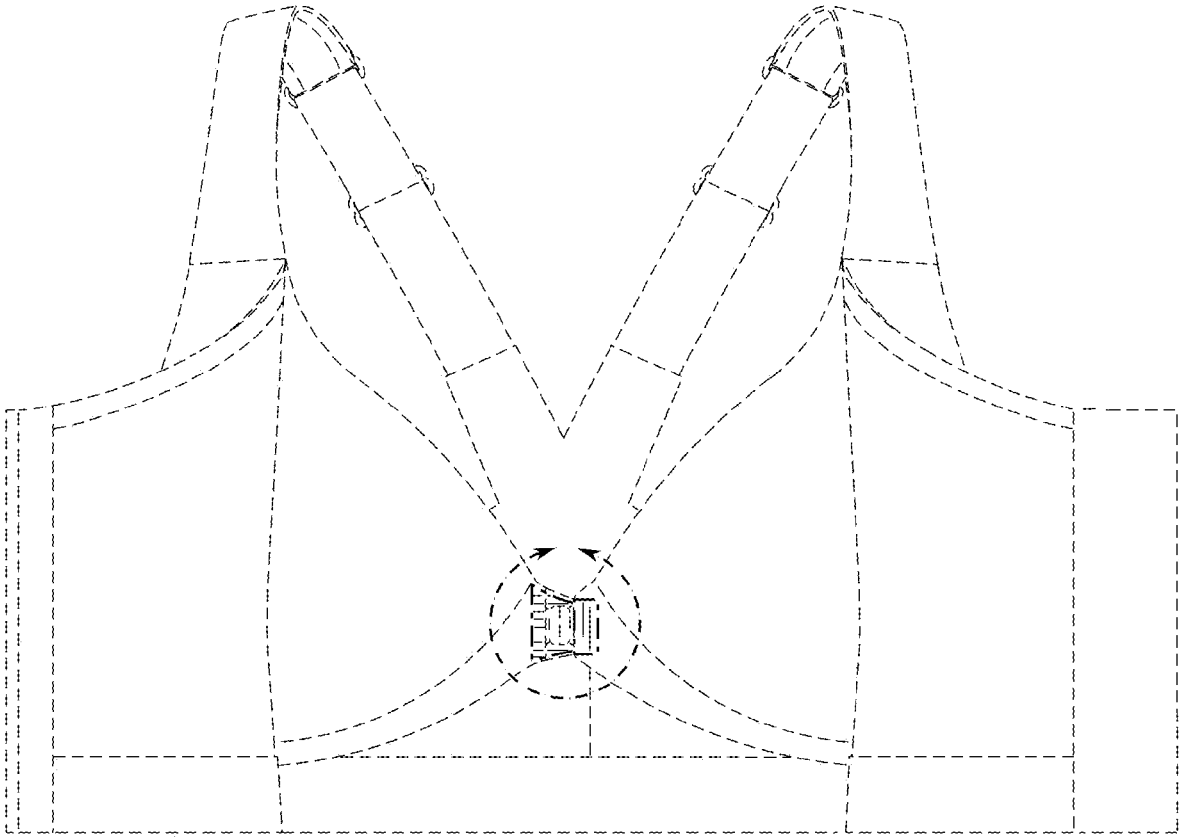


FIG. 4

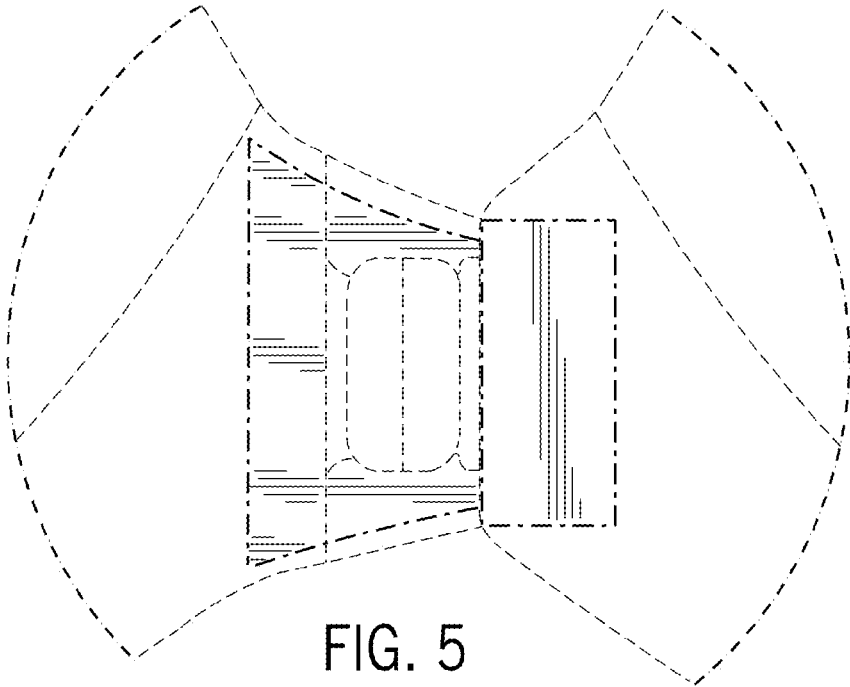


FIG. 5

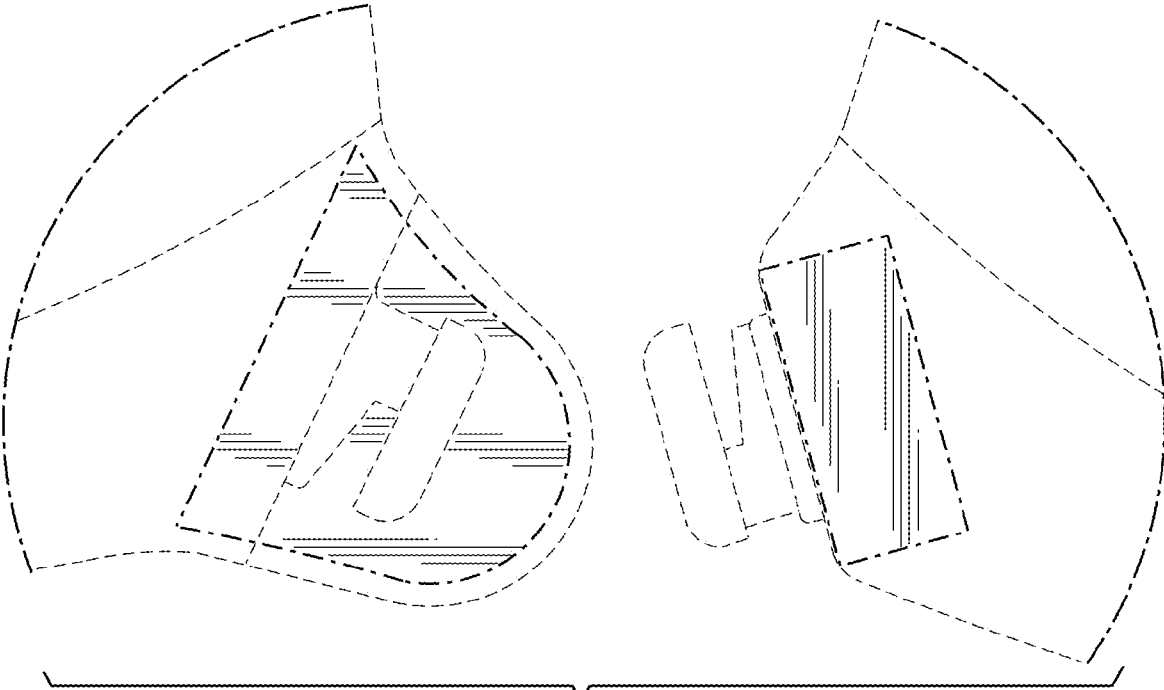


FIG. 6

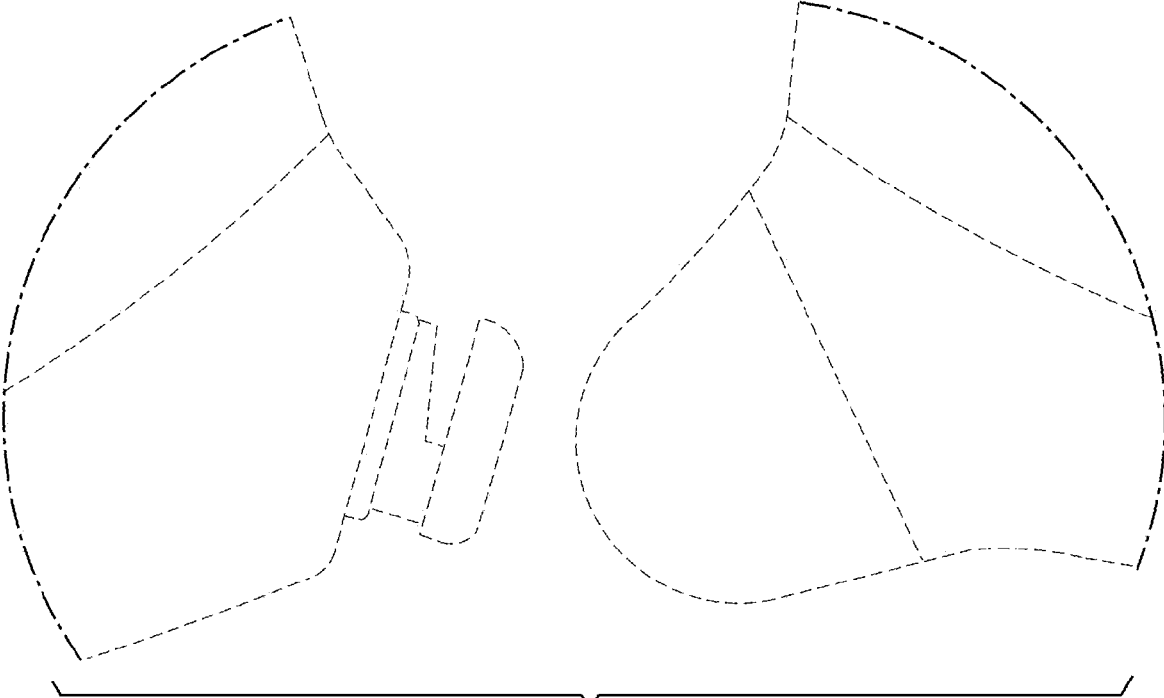


FIG. 7

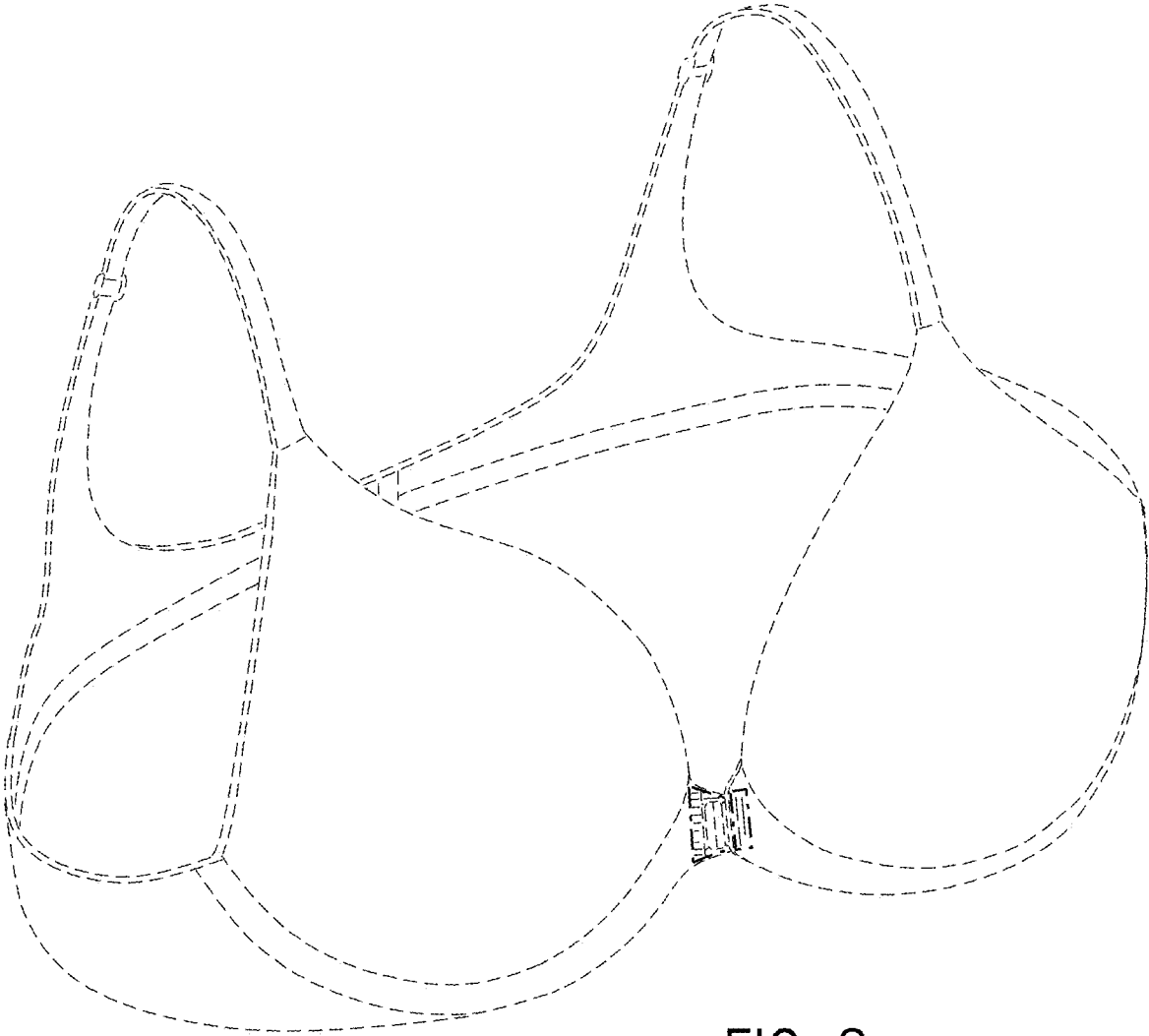


FIG. 8

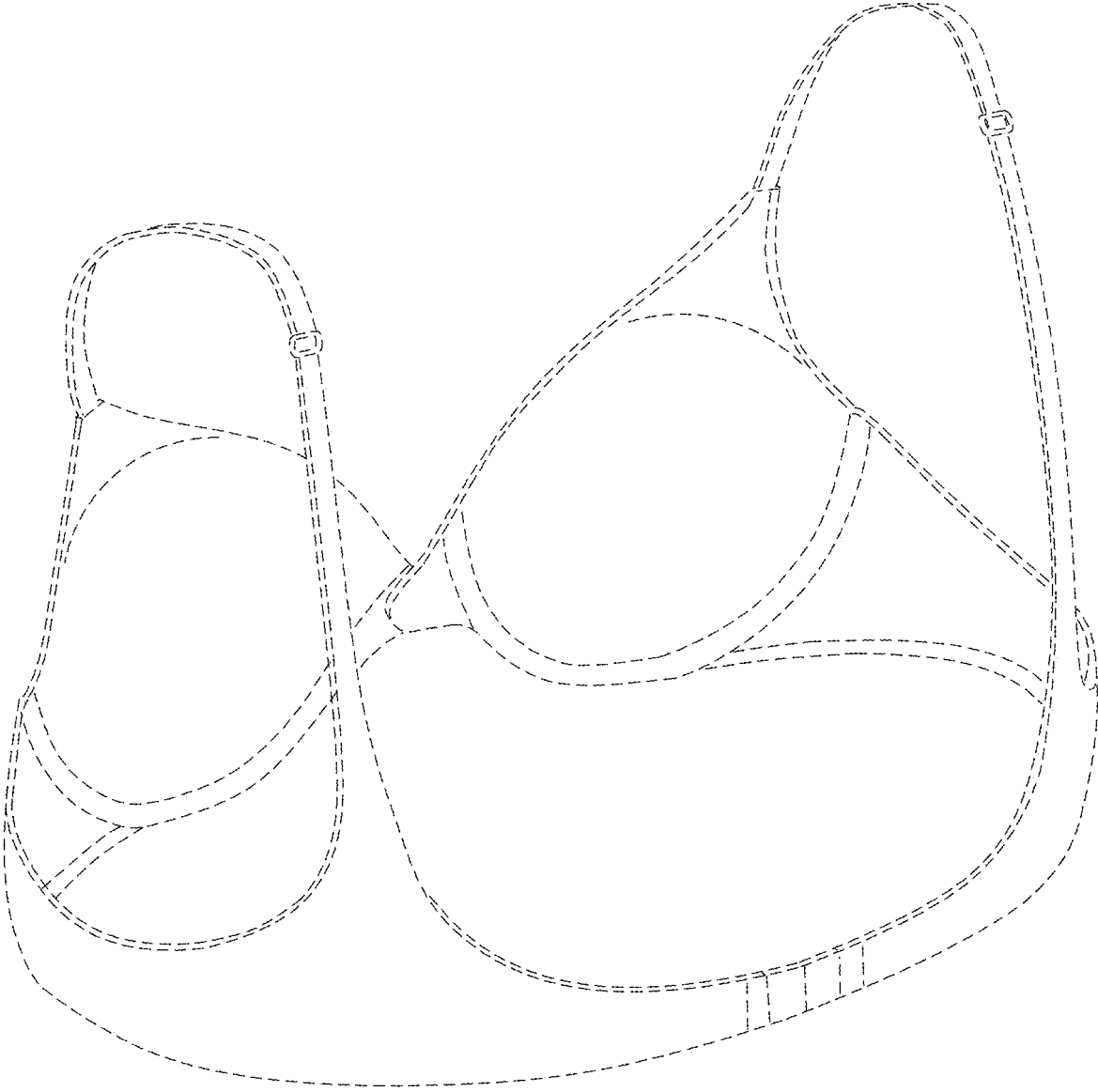


FIG. 9

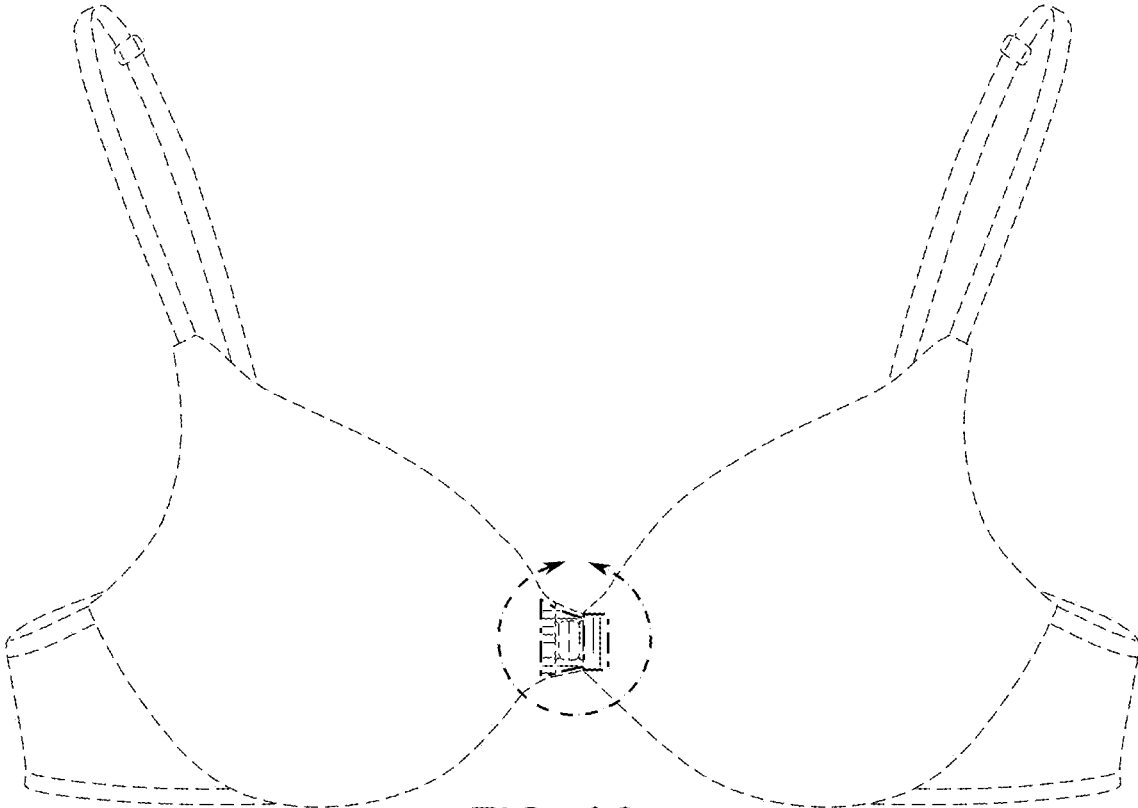


FIG. 10

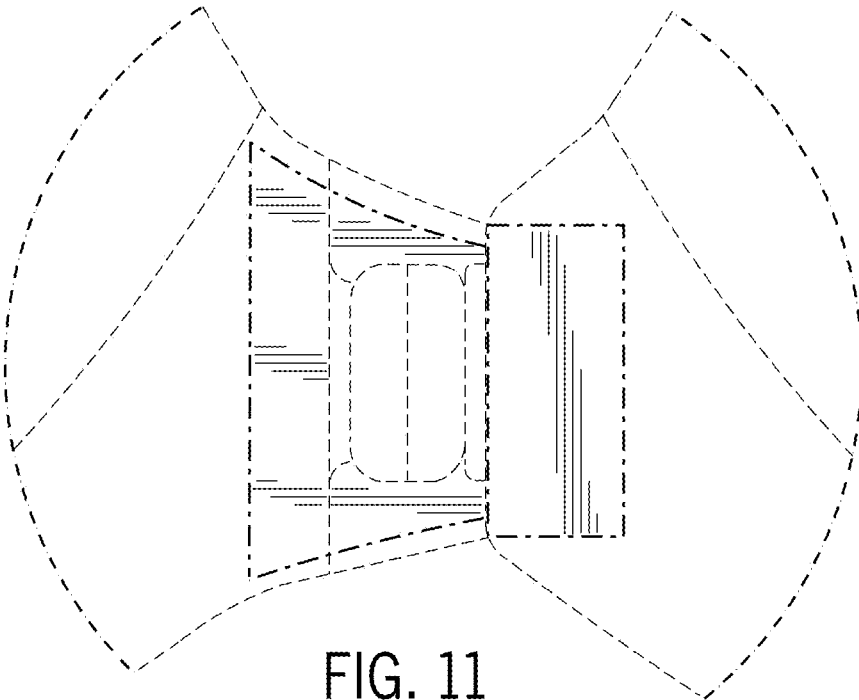


FIG. 11