



US00D753883S

(12) **United States Design Patent**
Monteparo

(10) **Patent No.:** **US D753,883 S**

(45) **Date of Patent:** **** Apr. 12, 2016**

(54) **ATOMIZER BULB**

(71) Applicant: **Victoria's Secret Stores Brand Management, Inc.**, Reynoldsburg, OH (US)

(72) Inventor: **Sandra Monteparo**, Brooklyn, NY (US)

(73) Assignee: **Victoria's Secret Stores Brand Management, Inc.**, Reynoldsburg, OH (US)

(**) Term: **14 Years**

(21) Appl. No.: **29/499,252**

(22) Filed: **Aug. 13, 2014**

(51) **LOC (10) Cl.** **28-03**

(52) **U.S. Cl.**

USPC **D28/91.1**; D9/451

(58) **Field of Classification Search**

USPC D11/117; D28/91.1; D9/683, 684, 661, D9/662, 663, 451, 499

CPC A41G 1/00; A41G 1/006; B05B 11/06
See application file for complete search history.

(56) **References Cited**

U.S. PATENT DOCUMENTS

4,525,394 A * 6/1985 Standley A41G 1/00
156/61
D315,321 S * 3/1991 Aoyama D11/117
D337,264 S * 7/1993 Paglina D9/441

(Continued)

FOREIGN PATENT DOCUMENTS

CN 202290397 7/2012
TW 419755 U 1/2012

OTHER PUBLICATIONS

Alibaba.com, "Well Lord Inc. Store front search "flower bulb"", Accessed Jan. 5, 2016. (<http://welllord.en.alibaba.com/search/product?SearchText=flower+bulb>).*

victoriasecret.com, "Scandalous Eau de Parfum", Accessed Jan. 5, 2016, First reviewed Jul. 27, 2015. (https://www.victoriasecret.com/beauty/fragrance/scandalous-eau-de-parfum-victoriasecret?cm_sp=&ProductID=209251&CatalogueType=OLS).* Examination Report for CA160440 dated Apr. 30, 2015.

Primary Examiner — Jennifer Rivard

Assistant Examiner — April Rivas

(74) *Attorney, Agent, or Firm* — Andrus Intellectual Property Law, LLP

(57) **CLAIM**

The ornamental design for an atomizer bulb, as shown and described.

DESCRIPTION

FIG. 1 is a front perspective view of a first embodiment of an atomizer bulb;

FIG. 2 is an environmental rear perspective view thereof;

FIG. 3 is a front view of the first embodiment of the atomizer bulb;

FIG. 4 is a rear view thereof;

FIG. 5 is a left side view thereof;

FIG. 6 is a right side view thereof;

FIG. 7 is a top view thereof;

FIG. 8 is a bottom view thereof;

FIG. 9 is an environmental front perspective view thereof;

FIG. 10 is a front perspective view of a second embodiment of an atomizer bulb;

FIG. 11 is an environmental rear perspective view thereof;

FIG. 12 is a front view of the second embodiment of the atomizer bulb;

FIG. 13 is a rear view thereof;

FIG. 14 is a left side view thereof;

FIG. 15 is a right, side view thereof;

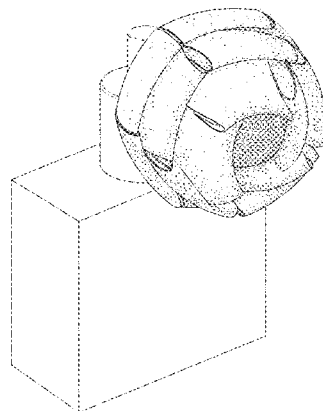
FIG. 16 is a top view thereof;

FIG. 17 is a bottom view thereof; and,

FIG. 18 is an environmental front perspective view thereof.

The broken lines in FIGS. 1-3, 5-12, and 14-18 are for purposes of illustrating the environment in which the atomizer bulb embodying the design may be used the broken lines form no part of the claimed design.

1 Claim, 18 Drawing Sheets



(56)

References Cited

U.S. PATENT DOCUMENTS

D410,839 S * 6/1999 Nakano D9/451
D412,276 S * 7/1999 Arslanian D9/546
D430,358 S * 8/2000 Papiernik D28/91.1
D431,002 S * 9/2000 Bertozzi D9/663
D433,962 S * 11/2000 Chen D11/117
D438,139 S * 2/2001 Mozena D11/117
D463,269 S * 9/2002 Gatti D9/661

D545,200 S * 6/2007 Dosa D9/451
D617,205 S * 6/2010 Hernandez D11/117
D651,514 S * 1/2012 Gillette D9/451
D664,445 S * 7/2012 Donnelly D28/91.1
D683,222 S * 5/2013 McGregor D9/661
D686,371 S * 7/2013 Moschitto D28/91.1
D704,556 S * 5/2014 van den Hoonard D9/451
D736,624 S * 8/2015 Berlepsch D9/451
D741,721 S * 10/2015 Monteparo D9/566

* cited by examiner

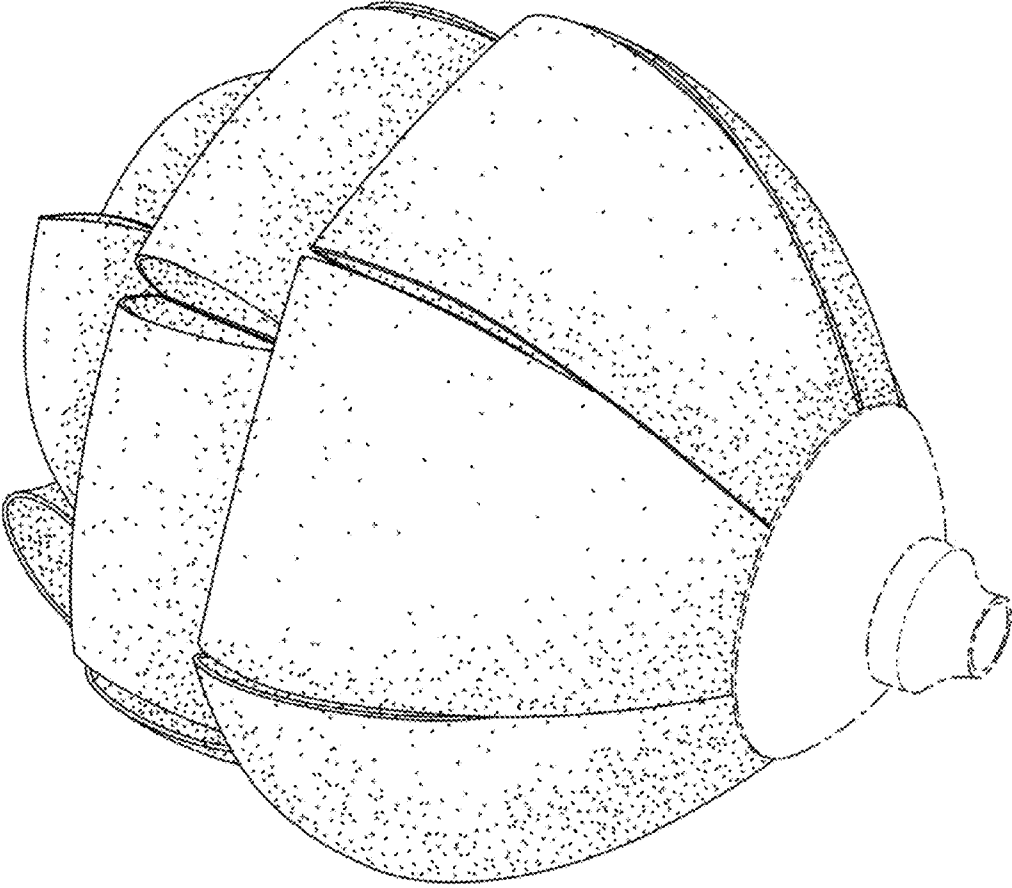


FIG. 1

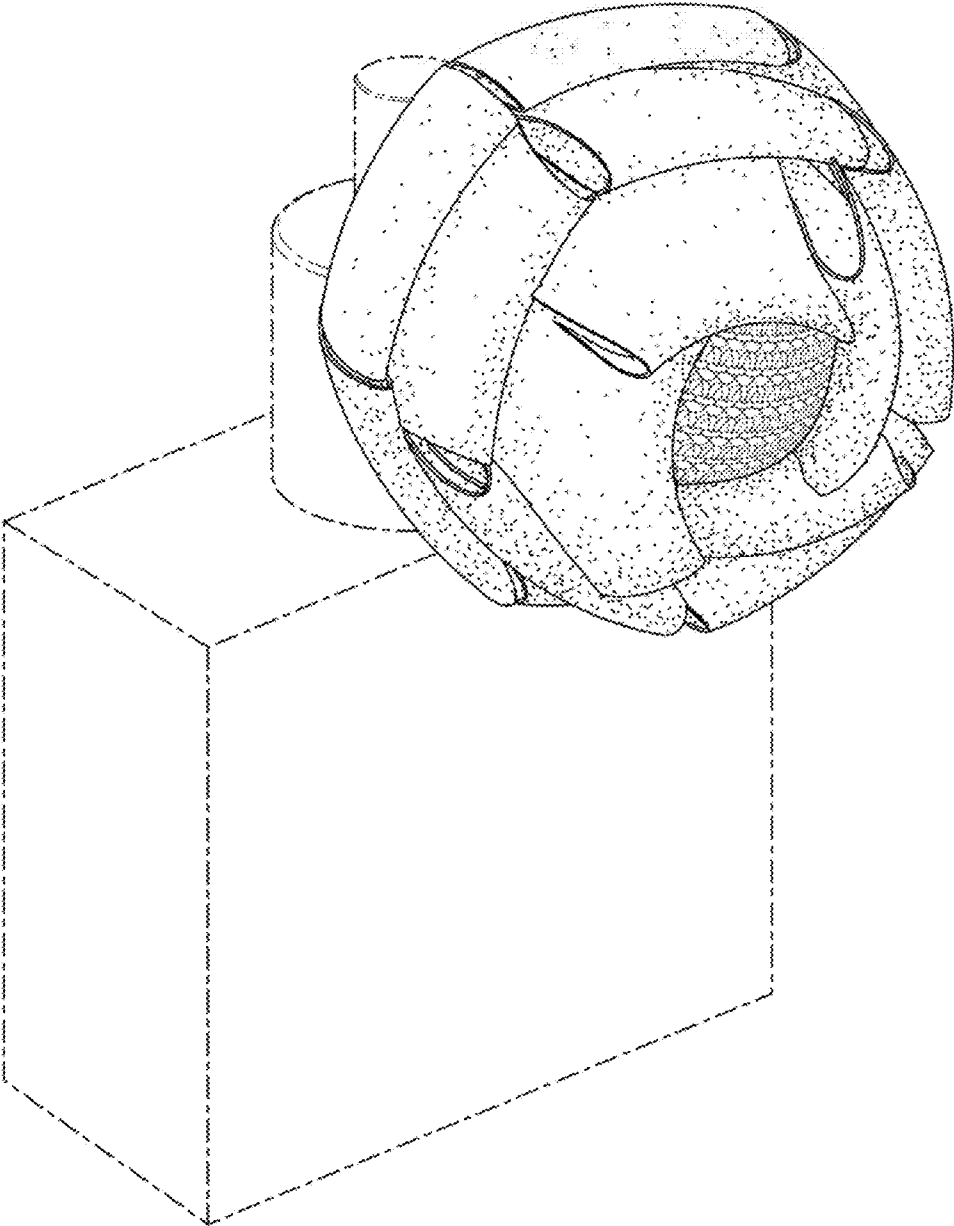


FIG. 2

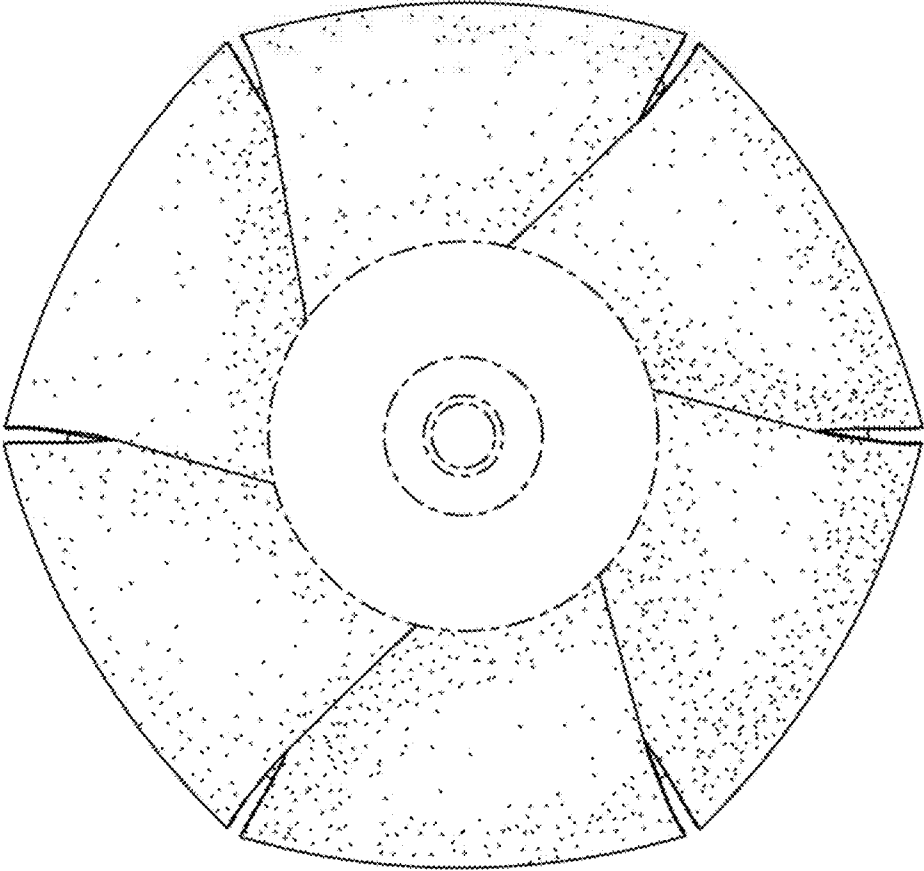


FIG. 3

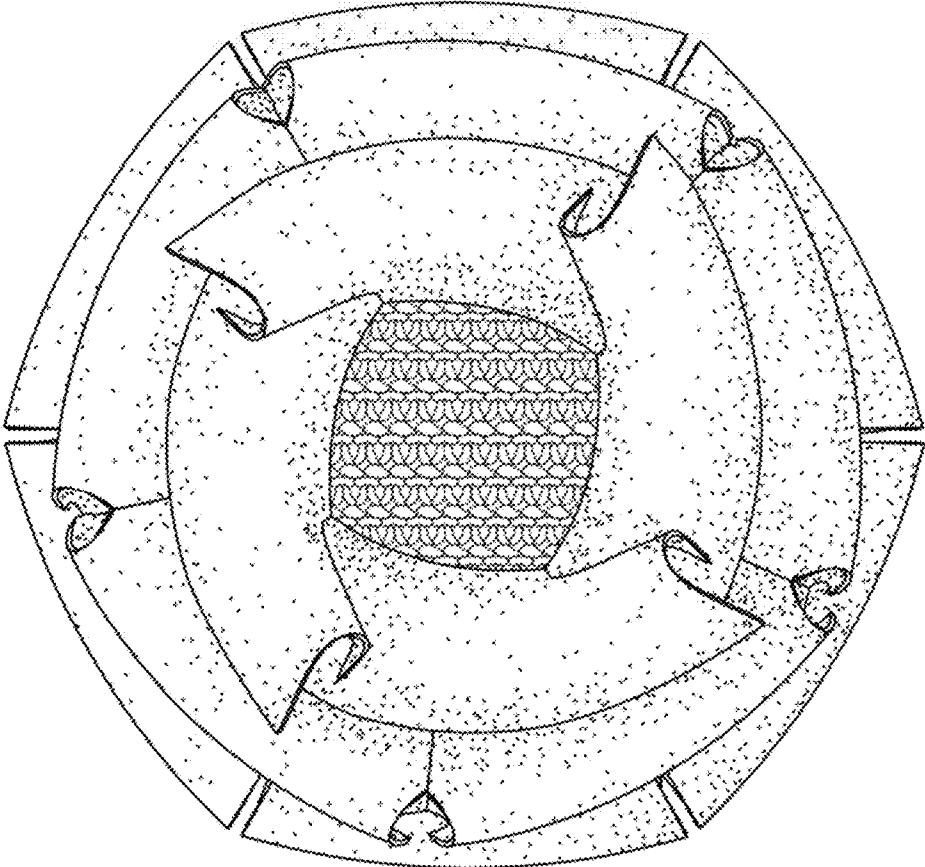


FIG. 4

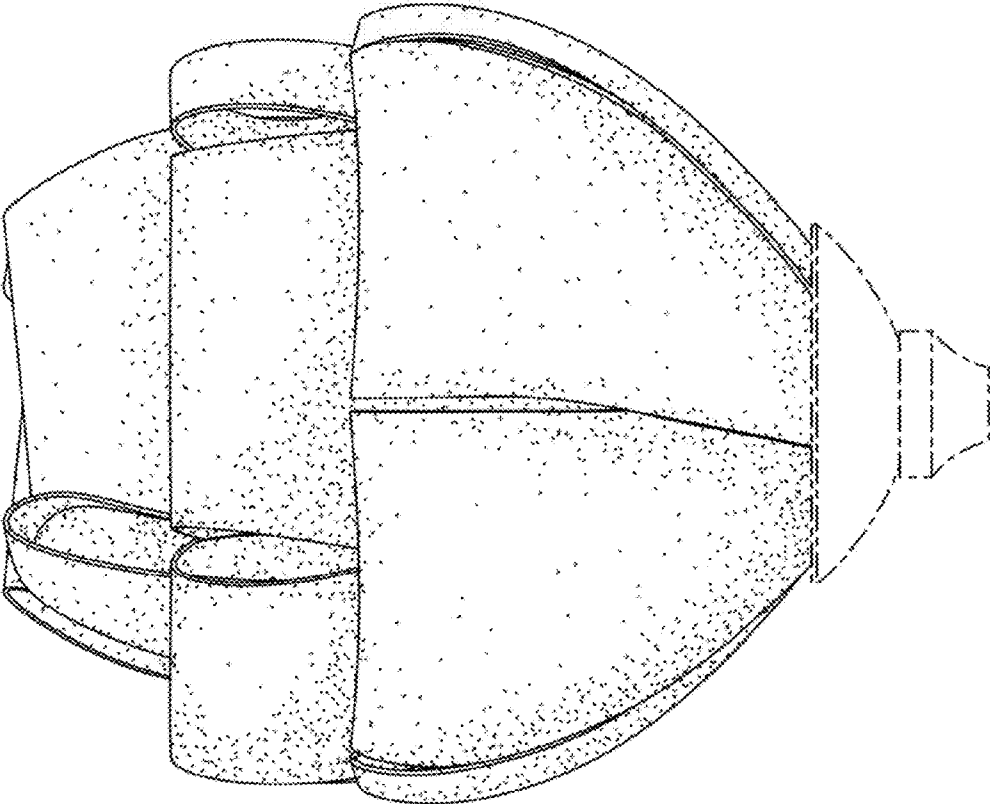


FIG. 5

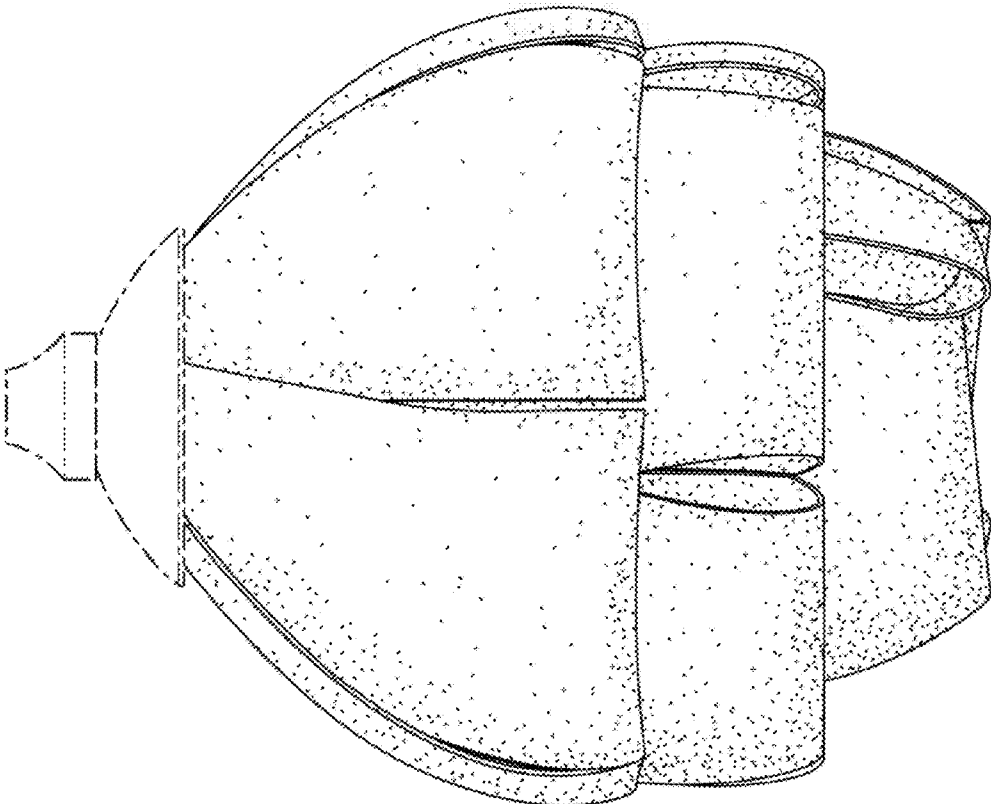


FIG. 6

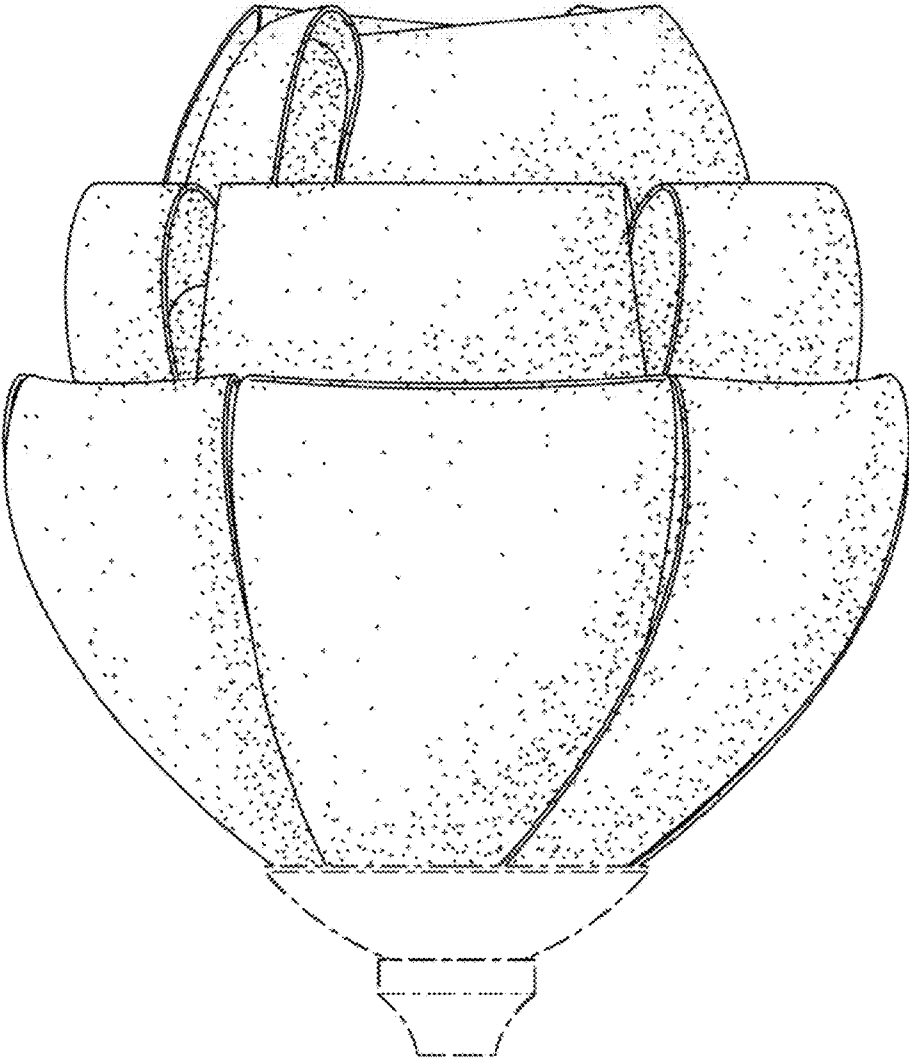


FIG. 7

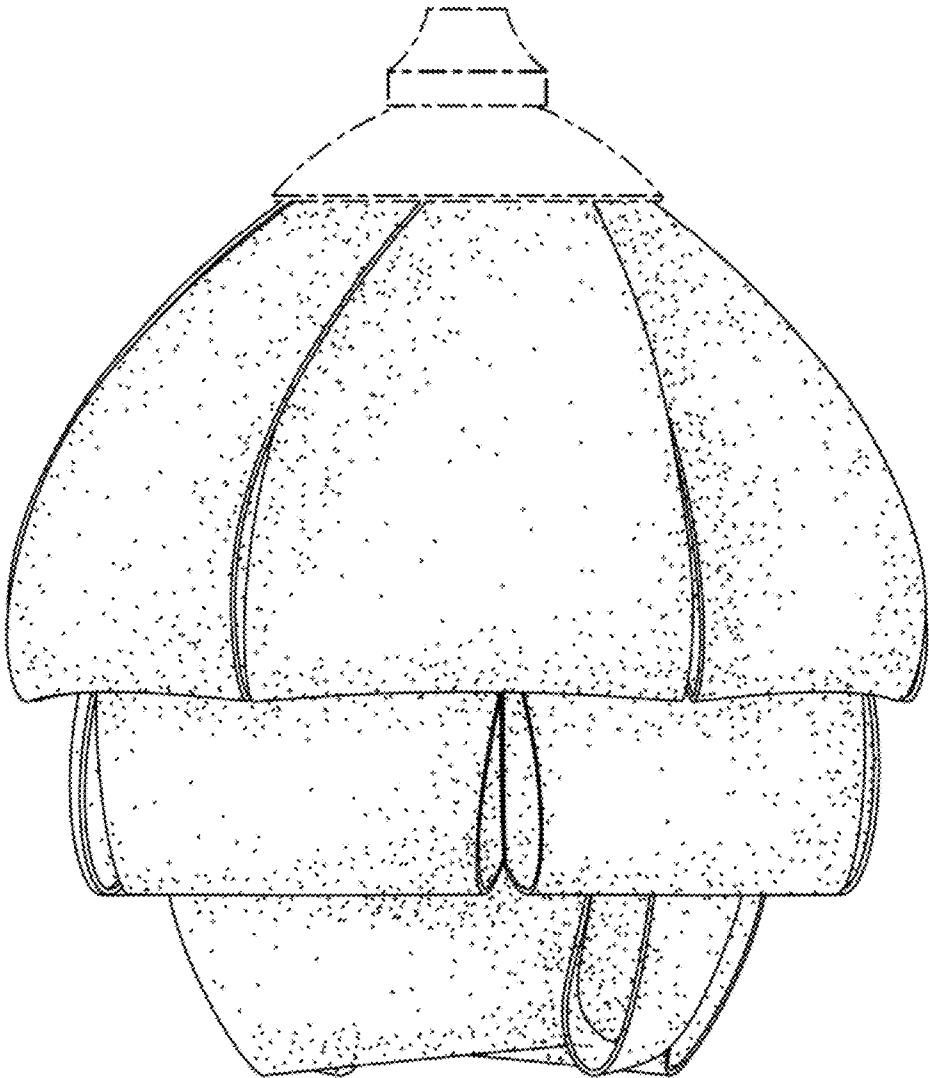


FIG. 8

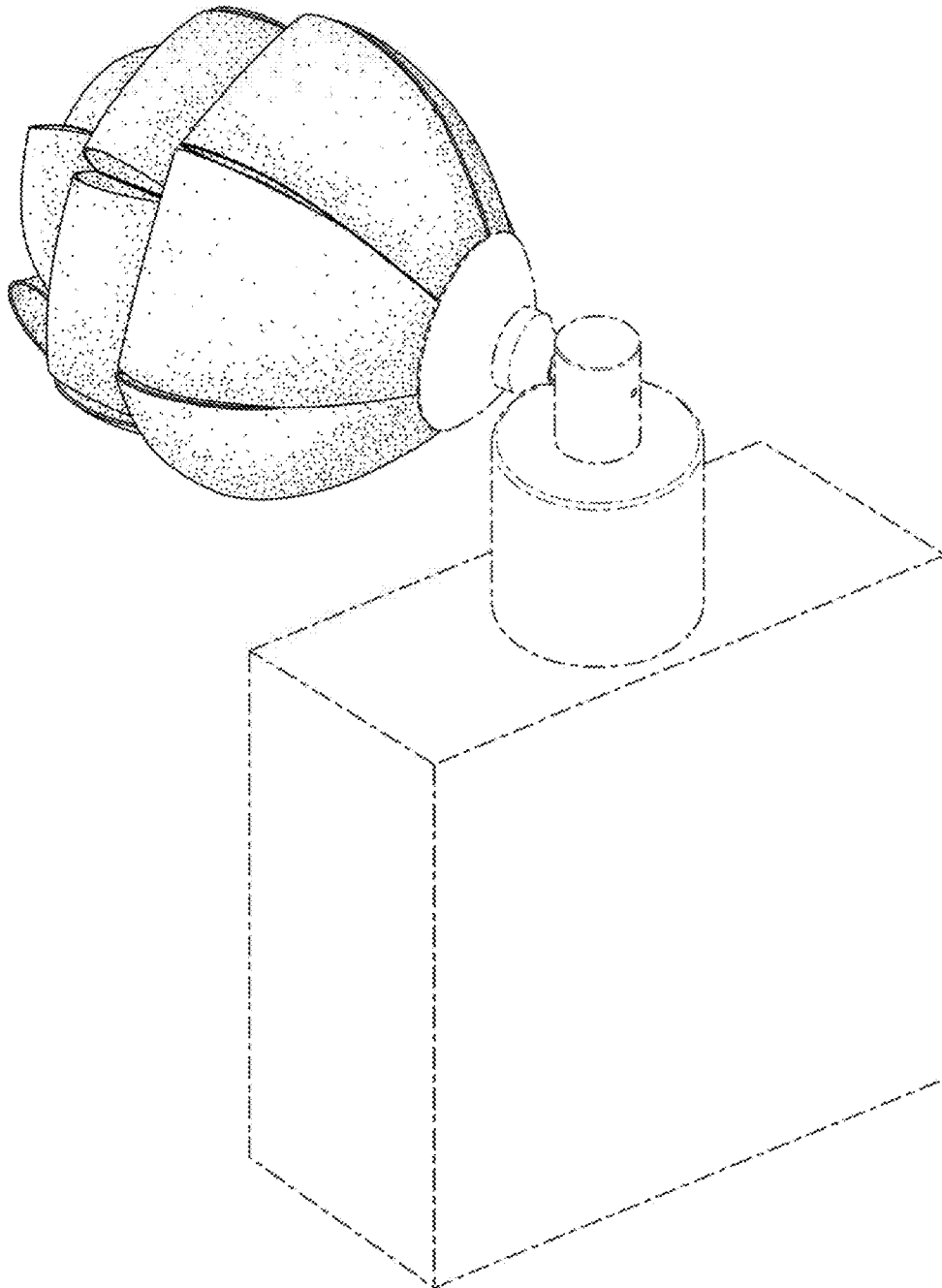


FIG. 9

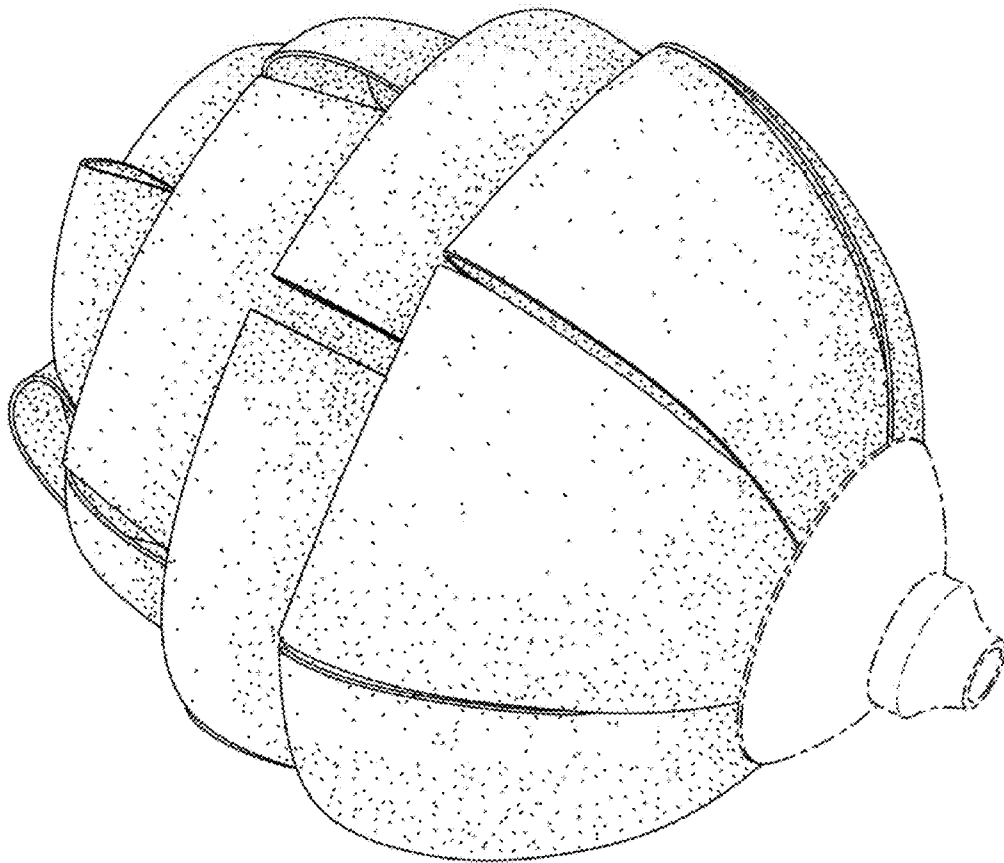


FIG. 10

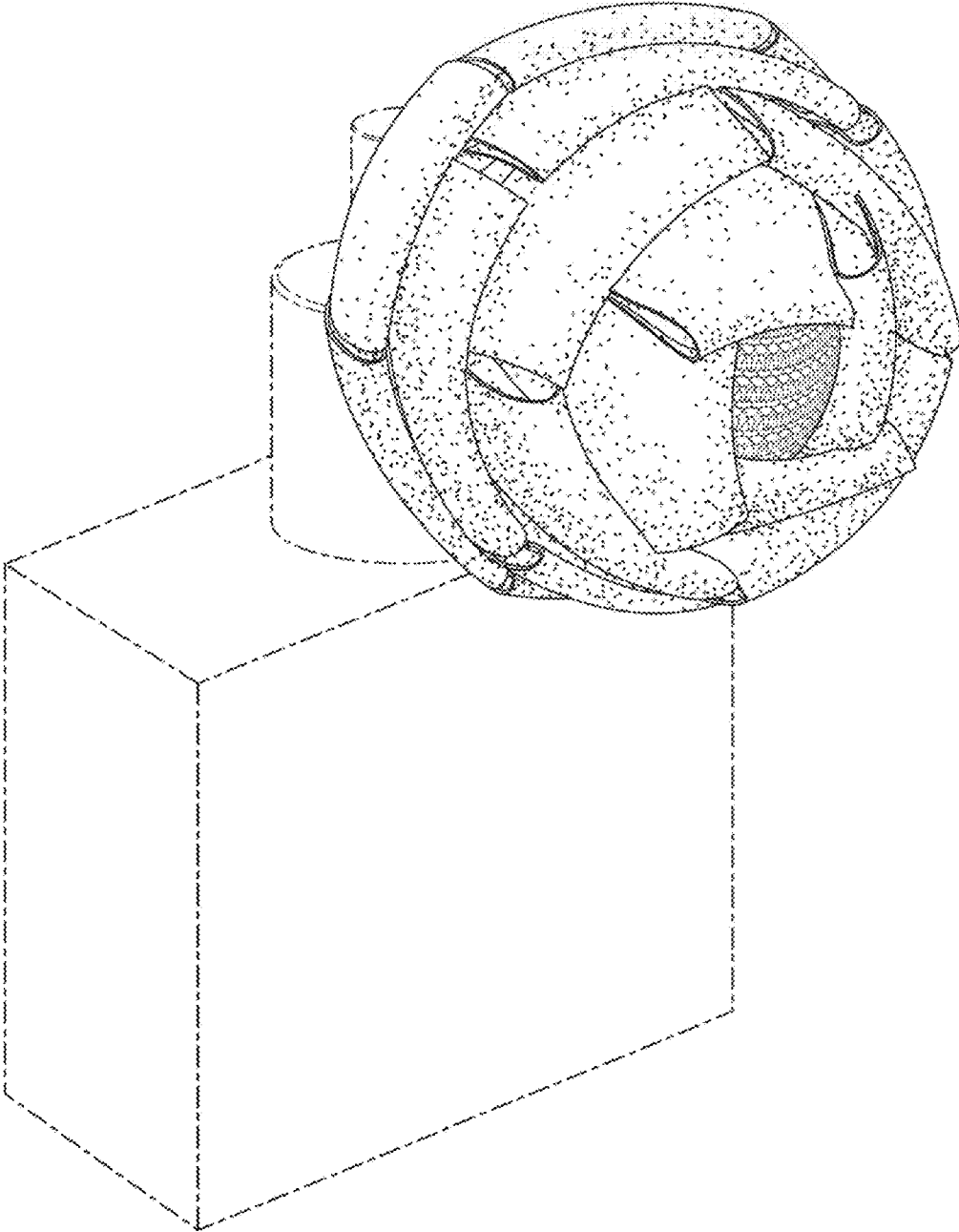


FIG. 11

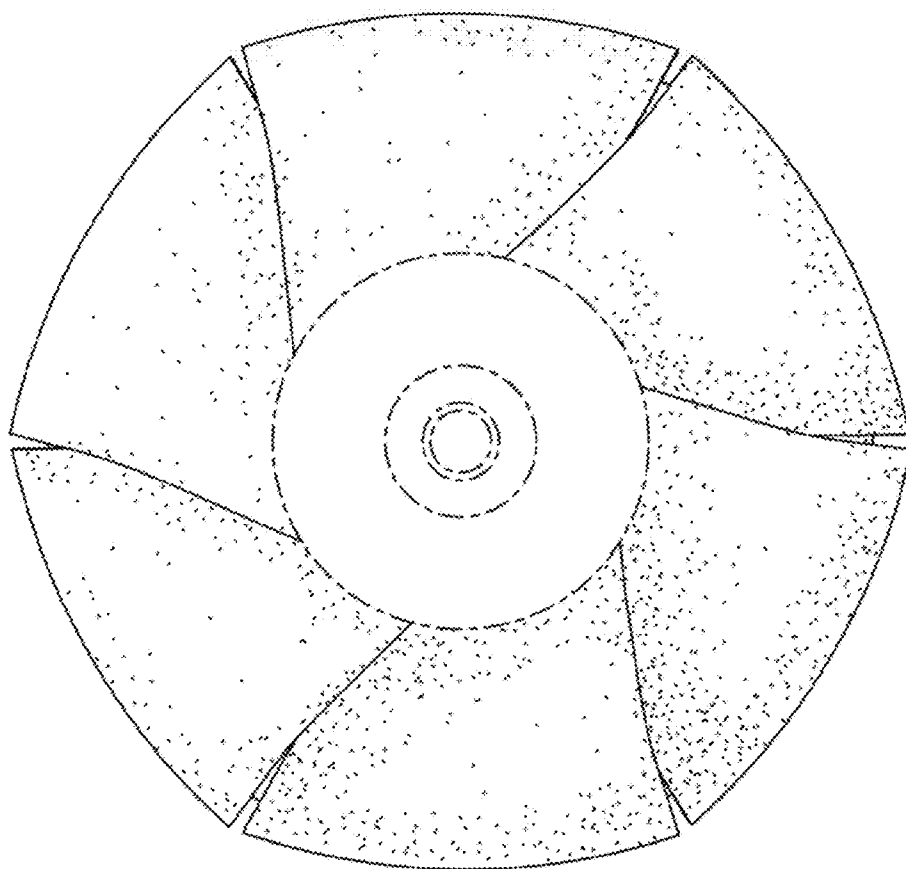


FIG. 12

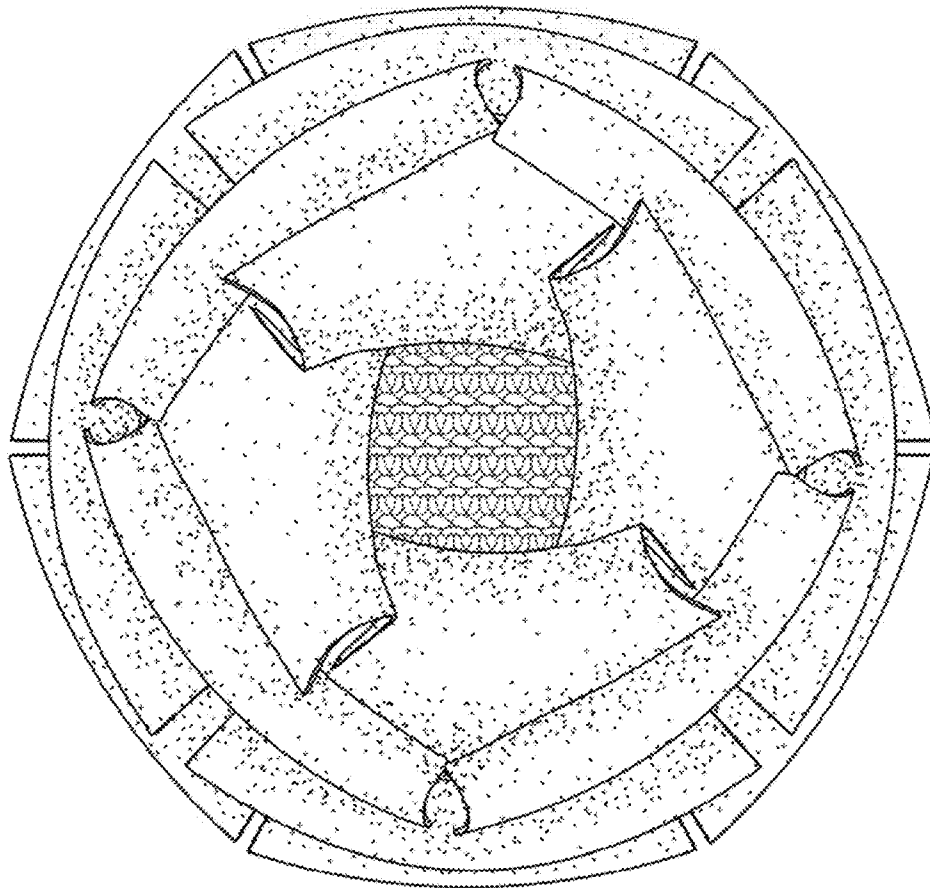


FIG. 13

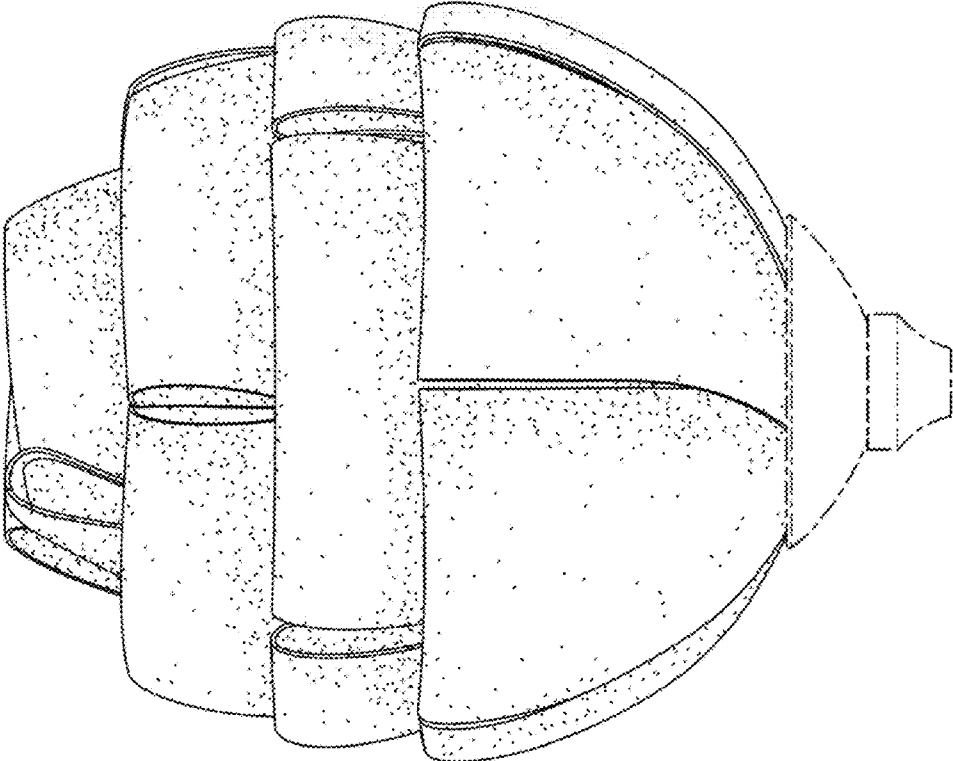


FIG. 14

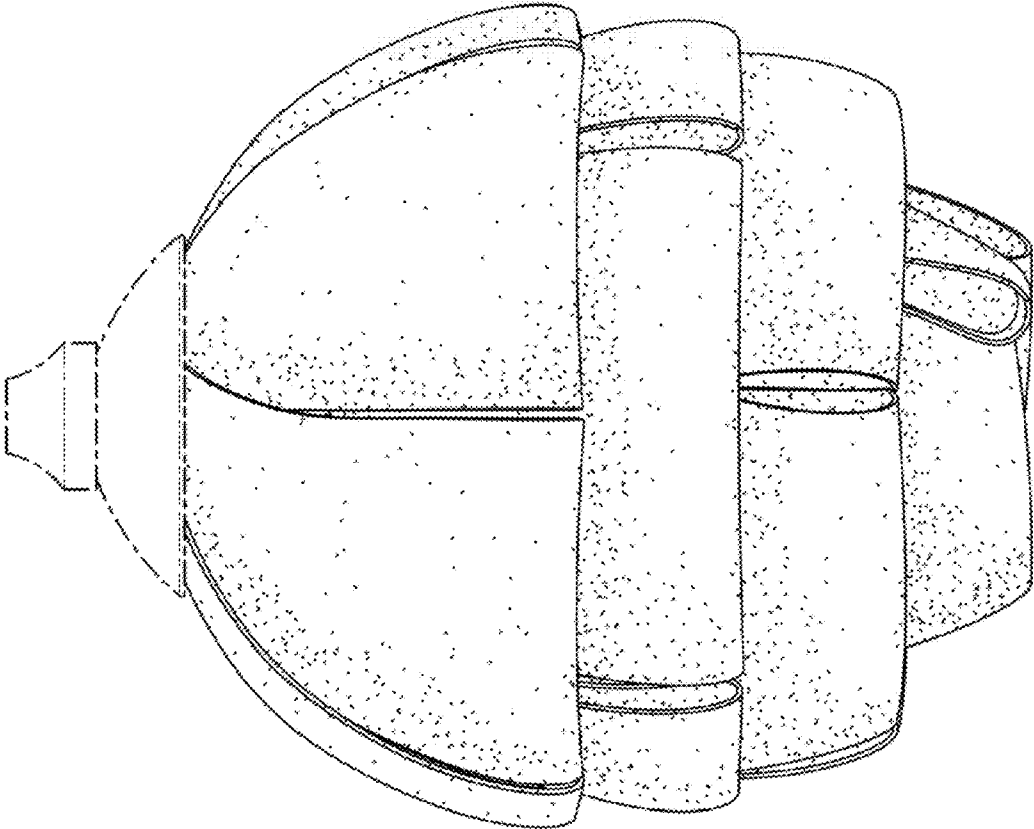


FIG. 15

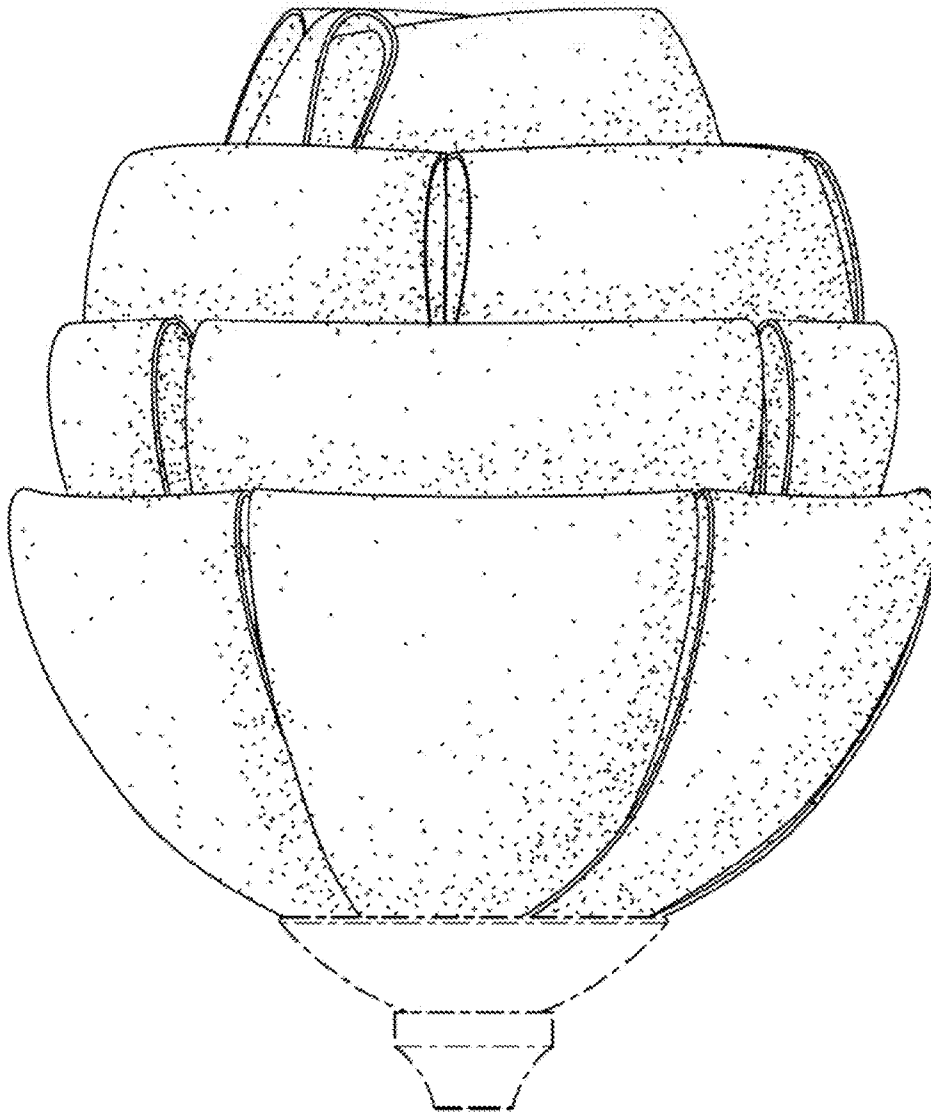


FIG. 16

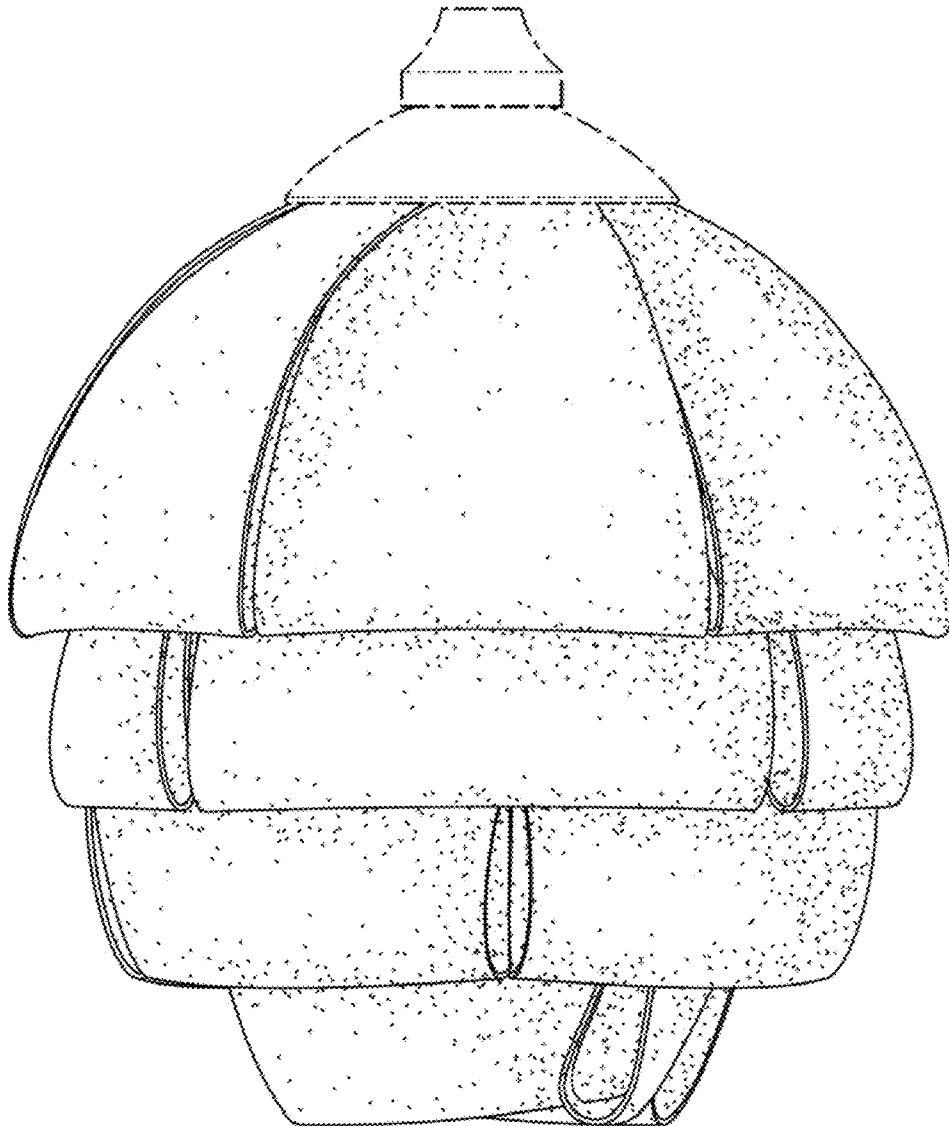


FIG. 17

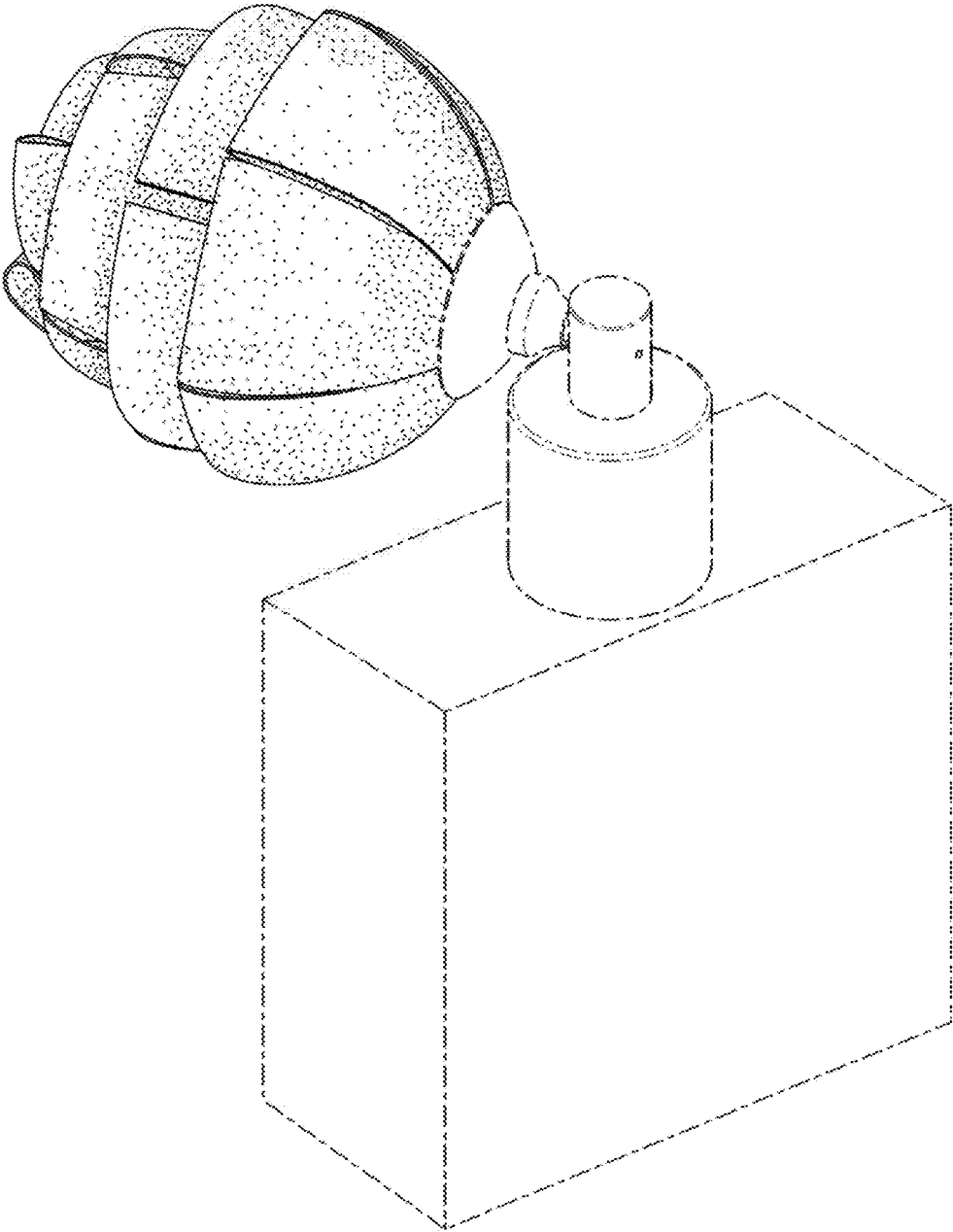


FIG. 18

UNITED STATES PATENT AND TRADEMARK OFFICE
CERTIFICATE OF CORRECTION

PATENT NO. : D753,883 S
APPLICATION NO. : 29/499252
DATED : April 12, 2016
INVENTOR(S) : Sandra Monteparo

Page 1 of 1

It is certified that error appears in the above-identified patent and that said Letters Patent is hereby corrected as shown below:

ON THE TITLE PAGE

Under the heading DESCRIPTION, in the description of FIG. 15, the “,” should be removed between the word “right” and the word “side”.

Under the heading DESCRIPTION, in the final sentence, a “;” should be added between the phrase “may be used” and the phrase “the broken lines”.

Signed and Sealed this
Twenty-eighth Day of June, 2016



Michelle K. Lee
Director of the United States Patent and Trademark Office