



US00D763095S

(12) **United States Design Patent**
Monteparo

(10) **Patent No.:** **US D763,095 S**

(45) **Date of Patent:** **** Aug. 9, 2016**

(54) **BOTTLE**

(71) Applicant: **Victoria's Secret Stores Brand Management, Inc.**, Reynoldsburg, OH (US)

(72) Inventor: **Sandra Monteparo**, Brooklyn, NY (US)

(73) Assignee: **Victoria's Secret Stores Brand Management, Inc.**, Reynoldsburg, OH (US)

(**) Term: **14 Years**

(21) Appl. No.: **29/526,498**

(22) Filed: **May 11, 2015**

(51) **LOC (10) Cl.** **09-01**

(52) **U.S. Cl.**
USPC **D9/635; D9/694; D9/559; D9/574**

(58) **Field of Classification Search**
USPC D9/600, 635, 682, 686-687, 694, D9/500-505, 516, 544, 549-575; 206/457, 206/494, 459.5, 527, 540; 229/116.1; 446/77; 215/381-384, 400; D7/514-516, 539, 544, 571, 579, 604, D7/613, 619.2, 628-630, 391-392.1; D3/270-271.3

CPC B65D 67/00; B65D 81/36; B65D 81/60; B65D 81/368; B65D 2203/00; B65D 2203/02; A63H 33/16

See application file for complete search history.

(56) **References Cited**

U.S. PATENT DOCUMENTS

| | | | | | | |
|----------|---|---|---------|-----------|-------|--------|
| D336,036 | S | * | 6/1993 | Wacker | | D9/544 |
| D511,688 | S | * | 11/2005 | Baron | | D9/560 |
| D606,875 | S | * | 12/2009 | Vila | | D9/544 |
| D633,806 | S | * | 3/2011 | Lecoule | | D9/544 |
| D654,369 | S | * | 2/2012 | Del Cerro | | D9/635 |
| D675,104 | S | * | 1/2013 | Chen | | D9/687 |
| D680,004 | S | * | 4/2013 | Lecetre | | D9/544 |
| D682,704 | S | * | 5/2013 | Reynolds | | D9/544 |
| D686,371 | S | * | 7/2013 | Moschitto | | D9/694 |
| D696,591 | S | * | 12/2013 | Chertoff | | D9/682 |
| D711,747 | S | * | 8/2014 | Lloyd | | D9/635 |

* cited by examiner

Primary Examiner — Sandra Morris

(74) *Attorney, Agent, or Firm* — Andrus Intellectual Property Law, LLP

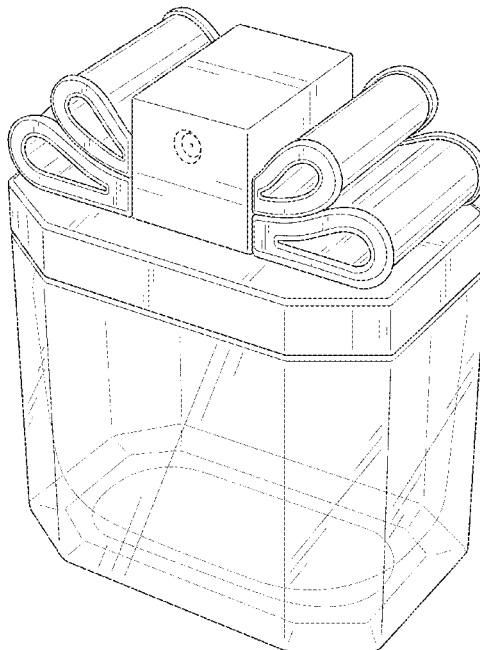
(57) **CLAIM**

The ornamental design for a bottle, as shown and described.

DESCRIPTION

FIG. 1 is a front perspective view of a bottle according to my new and ornamental design;
FIG. 2 is a front view thereof;
FIG. 3 is a back view thereof;
FIG. 4 is a left side view thereof;
FIG. 5 is a right side view thereof;
FIG. 6 is a top view thereof;
FIG. 7 is a bottom view thereof; and,
FIG. 8 is a bottom perspective view thereof.
The broken lines in the drawings are directed to environment and are for illustrative purposes only; the broken lines form no part of the claimed design.

1 Claim, 8 Drawing Sheets



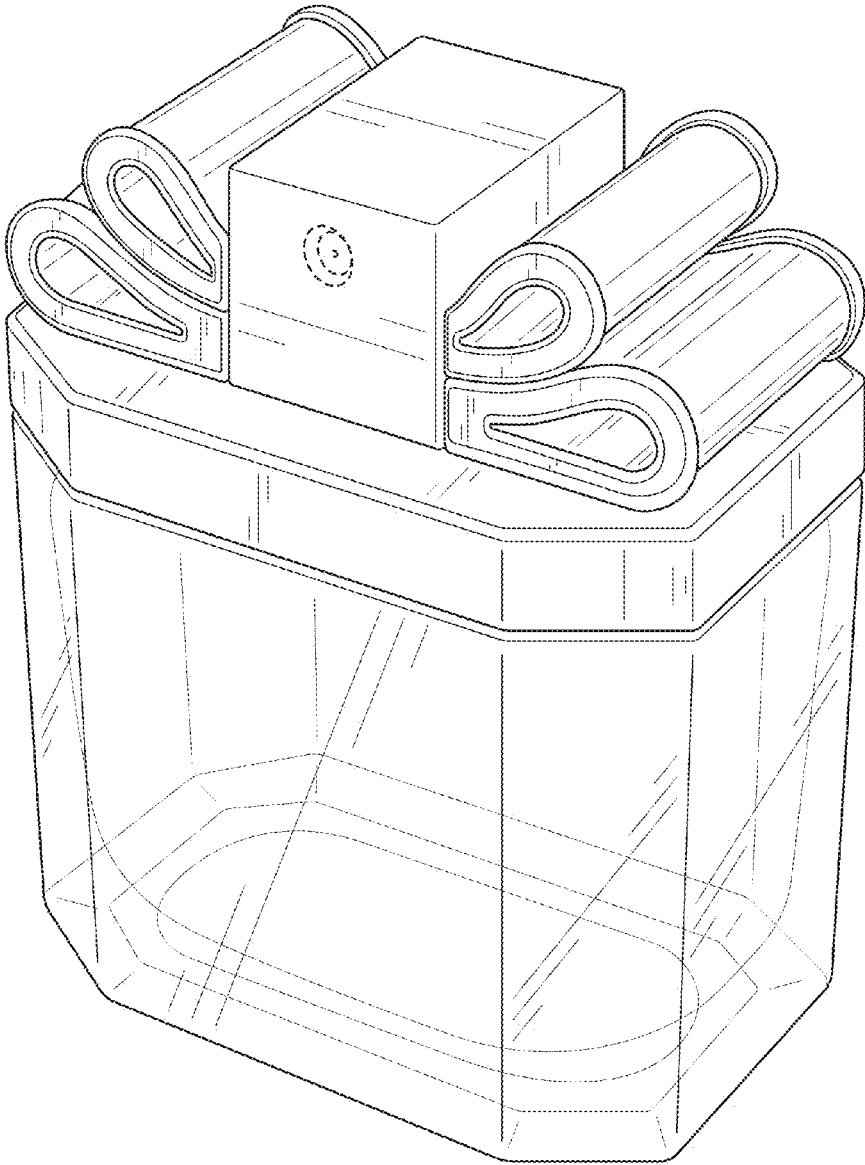


FIG. 1

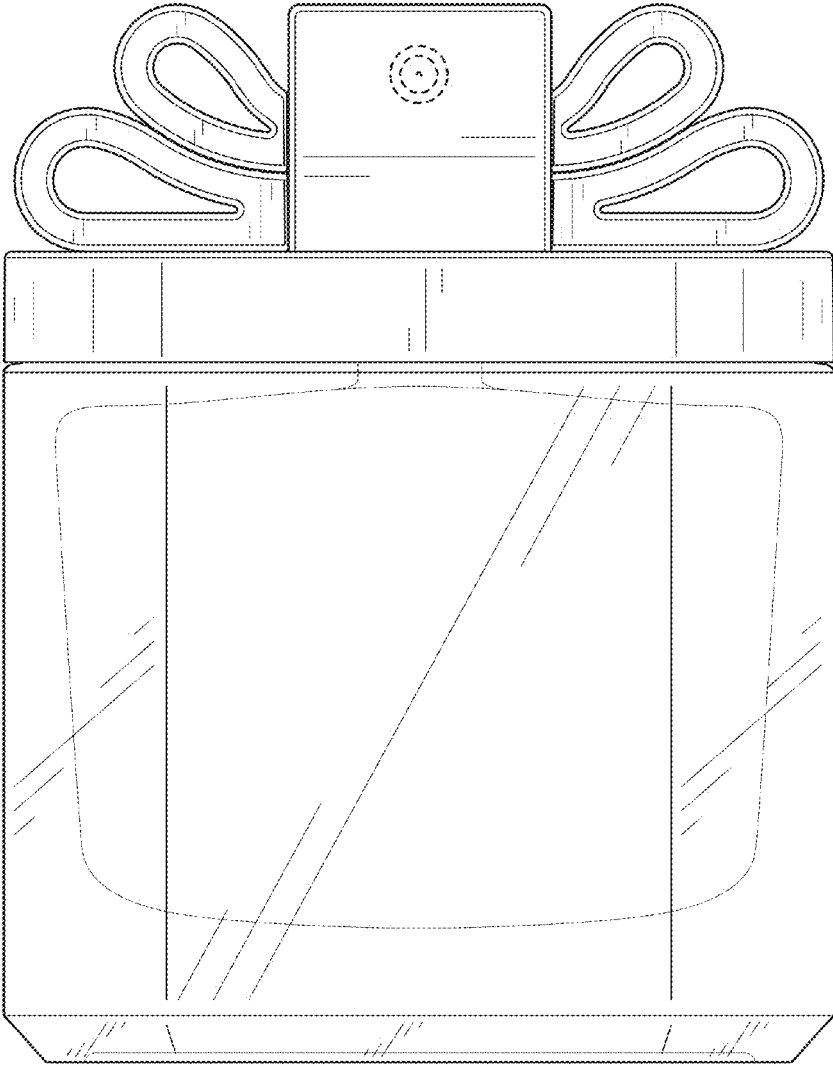


FIG. 2

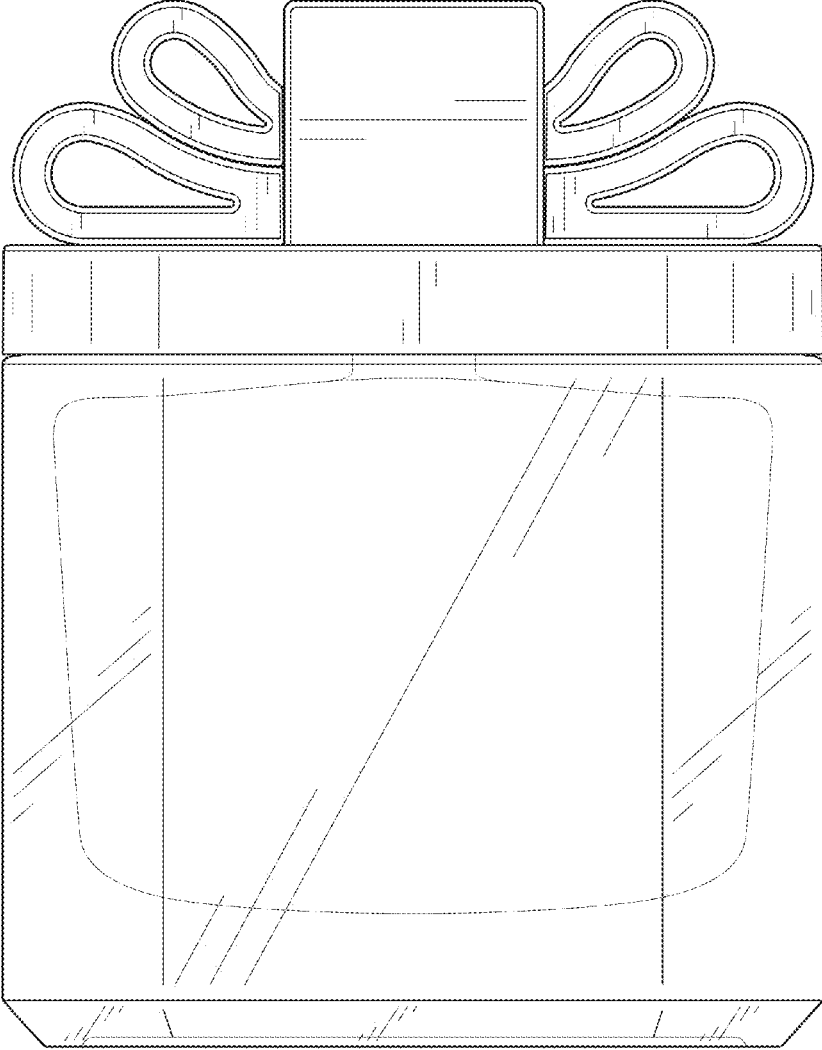


FIG. 3

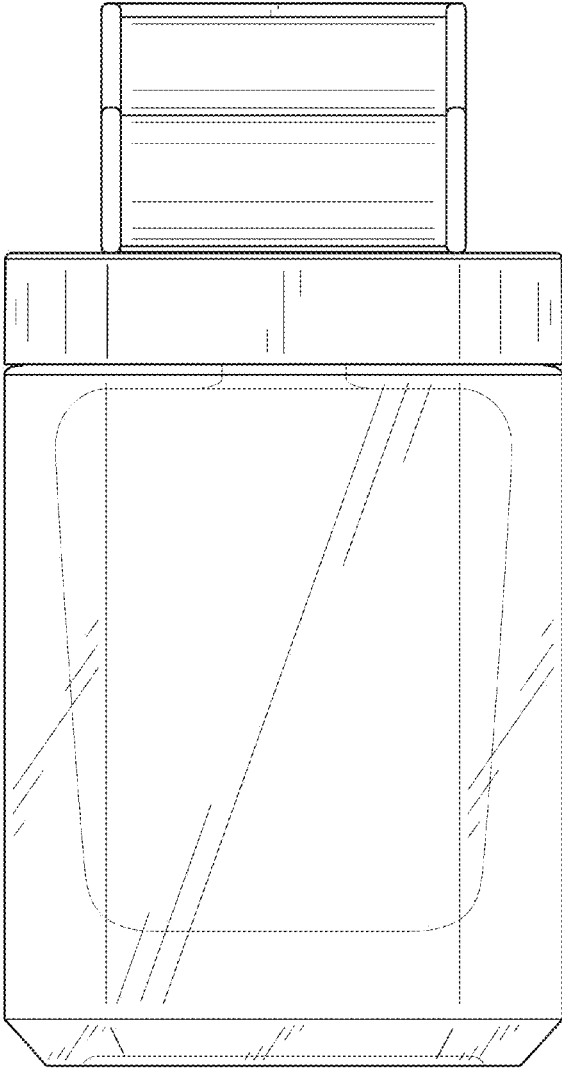


FIG. 4

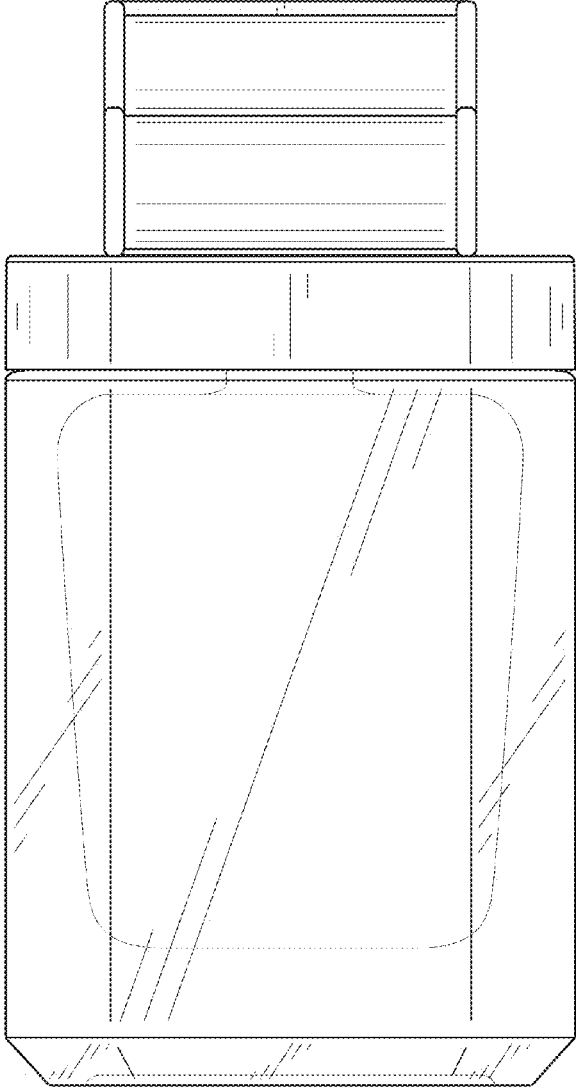


FIG. 5

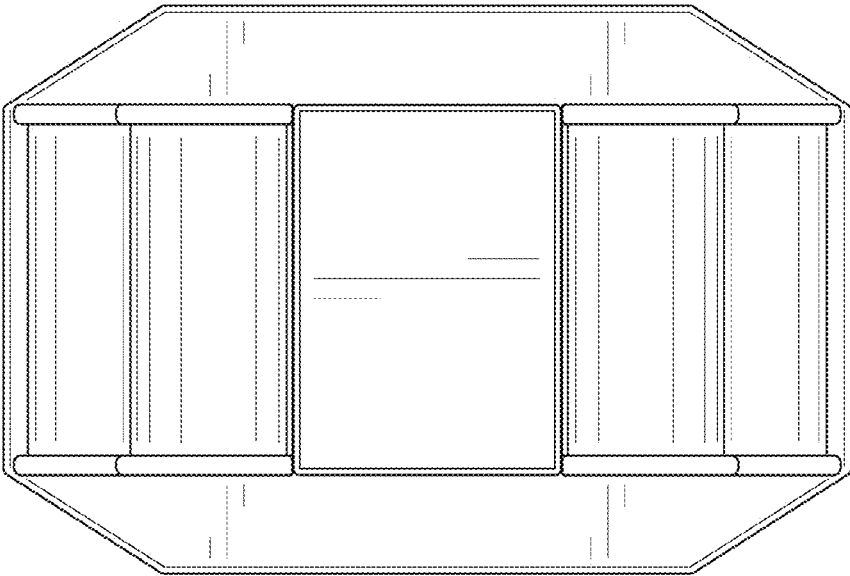


FIG. 6

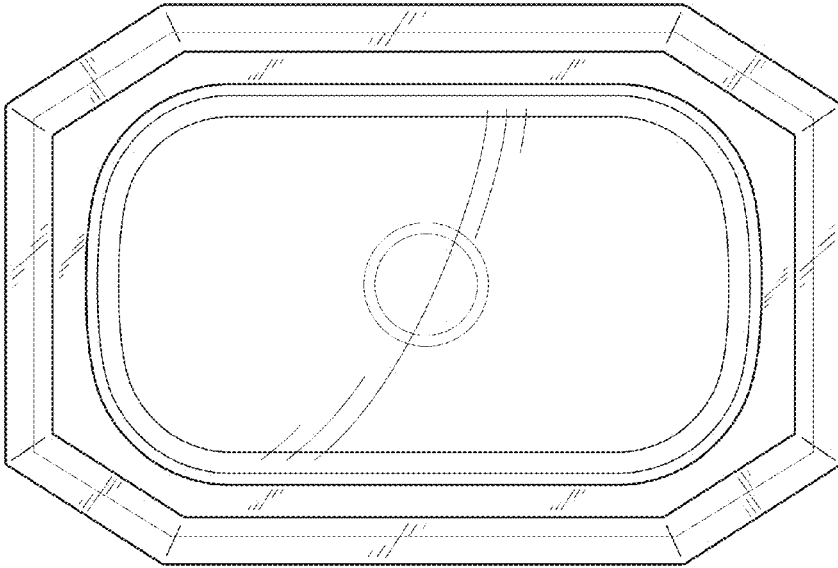


FIG. 7

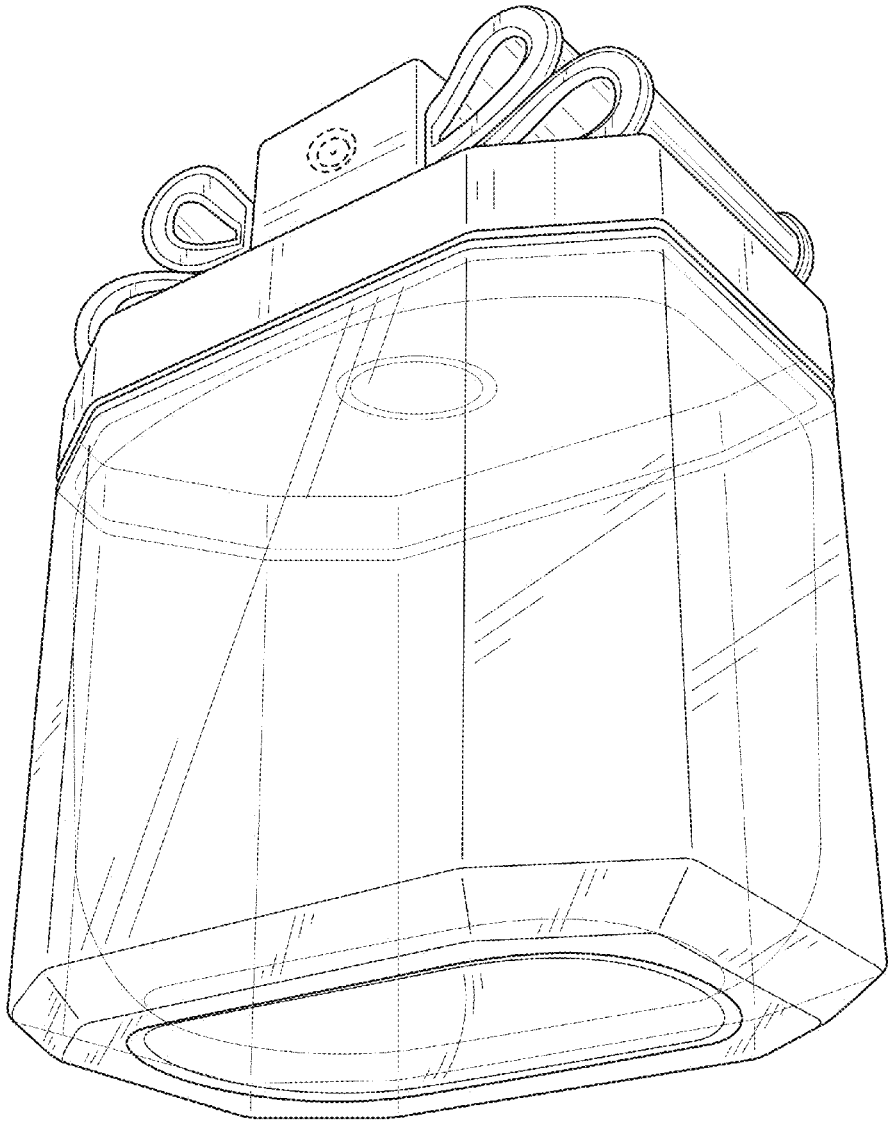


FIG. 8