



US00D923484S

(12) **United States Design Patent** (10) **Patent No.:** **US D923,484 S**  
**Kleen et al.** (45) **Date of Patent:** **\*\* Jun. 29, 2021**

(54) **BOTTLE**  
(71) Applicant: **Victoria’s Secret Stores Brand Management, Inc.**, Reynoldsburg, OH (US)

D623,532 S \* 9/2010 Kuzma ..... D9/552  
D632,185 S \* 2/2011 Glass ..... D9/667  
D632,969 S 2/2011 Monteparo et al.  
D633,806 S \* 3/2011 Lecoule ..... D9/559  
D649,471 S 11/2011 Guglielmo et al.  
D650,690 S 12/2011 Guglielmo et al.  
D655,612 S 3/2012 Oge-Nichols  
D659,548 S \* 5/2012 de France ..... D9/694  
D664,039 S 7/2012 Monteparo et al.

(72) Inventors: **Karin Kleen**, Brooklyn, NY (US);  
**Paige Erceg**, East Meadow, NY (US);  
**Sandra Monteparo**, Brooklyn, NY (US)

(Continued)

(73) Assignee: **Victoria’s Secret Stores Brand Management, LLC**, Reynoldsburg, OH (US)

Monteparo, Sandra, “Bottle”, unpublished Design U.S. Appl. No. 29/642,047, filed Mar. 27, 2018.

(Continued)

(\*\*) Term: **15 Years**

*Primary Examiner* — Janice Patyk

(21) Appl. No.: **29/656,909**

(74) *Attorney, Agent, or Firm* — Andrus Intellectual Property Law, LLP

(22) Filed: **Jul. 17, 2018**

(51) **LOC (13) Cl.** ..... **09-01**

(57) **CLAIM**

(52) **U.S. Cl.** ..... **D9/573**  
USPC ..... **D9/573**

The ornamental design for a bottle, as shown and described.

(58) **Field of Classification Search**  
USPC ..... D9/522, 530, 542, 549, 558, 572, 573,  
D9/574, 690, 691, 694  
CPC ..... B65D 1/02; B65D 1/0223; B65D 1/023;  
B65D 1/0261; B65D 2501/0009; B65D  
2501/0081; B65D 2501/009  
See application file for complete search history.

**DESCRIPTION**

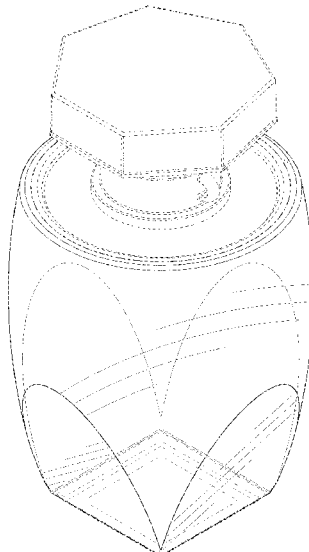
(56) **References Cited**

**U.S. PATENT DOCUMENTS**

D345,698 S 4/1994 Gobe  
D348,832 S 7/1994 Gobe  
D352,906 S 11/1994 Gobe  
D362,391 S 9/1995 Gobe  
D366,422 S 1/1996 Gobe  
D515,194 S \* 2/2006 Chen ..... D23/366  
D530,211 S 10/2006 Lloyd  
D531,911 S 11/2006 Lloyd

FIG. 1 is a top perspective view of a bottle according to our new design;  
FIG. 2 is a front elevation view thereof;  
FIG. 3 is a rear elevation view thereof;  
FIG. 4 is a right side elevation view thereof;  
FIG. 5 is a left side elevation view thereof;  
FIG. 6 is a top plan view thereof;  
FIG. 7 is a bottom plan view thereof; and,  
FIG. 8 is a bottom perspective view thereof.  
The broken lines in the figures illustrate portions of the bottle that form no part of the claimed design. The dash-dot-dash lines immediately adjacent to the claimed areas in the views represent the boundaries of the claimed design and form no part thereof. None of the broken lines form any part of the claimed design.

**1 Claim, 8 Drawing Sheets**



(56)

**References Cited**

## U.S. PATENT DOCUMENTS

D670,176 S	11/2012	Monteparo et al.	
D671,008 S	11/2012	Monteparo et al.	
D678,073 S	3/2013	Oge-Nichols et al.	
D680,872 S	4/2013	Uribe et al.	
D686,371 S	7/2013	Moschitto et al.	
D698,259 S	* 1/2014	Ngjelo .....	D9/651
D712,253 S	* 9/2014	Hughes .....	D9/435
D713,256 S	* 9/2014	Perez-Cabrera .....	D9/546
D718,143 S	11/2014	O'Donahue	
D723,381 S	3/2015	O'Donahue	
D730,733 S	6/2015	O'Donahue	
D730,738 S	6/2015	O'Donahue	
D731,319 S	6/2015	O'Donahue	
D731,888 S	6/2015	O'Donahue	
D737,689 S	9/2015	Monteparo	
D740,127 S	* 10/2015	Chertoff .....	D9/559
D741,721 S	10/2015	Monteparo et al.	
D752,442 S	3/2016	O'Donahue	
D763,095 S	8/2016	Monteparo	
D770,910 S	11/2016	Monteparo et al.	
D778,998 S	2/2017	Musselman et al.	
D813,048 S	3/2018	Hamel et al.	

## OTHER PUBLICATIONS

Erceg, Paige, "Bottle", unpublished Design U.S. Appl. No. 29/608,660, filed Jun. 23, 2017.

\* cited by examiner

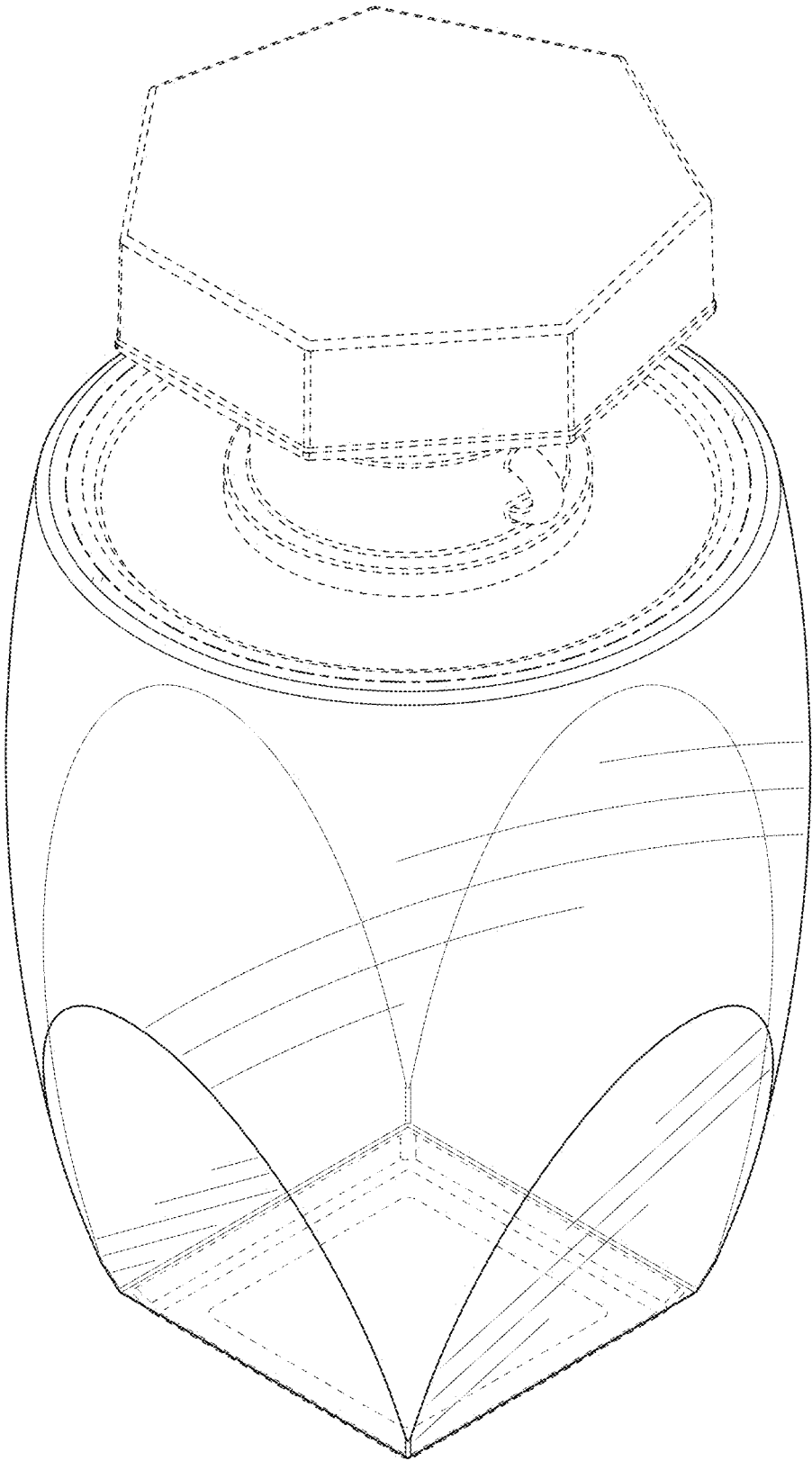


FIG. 1

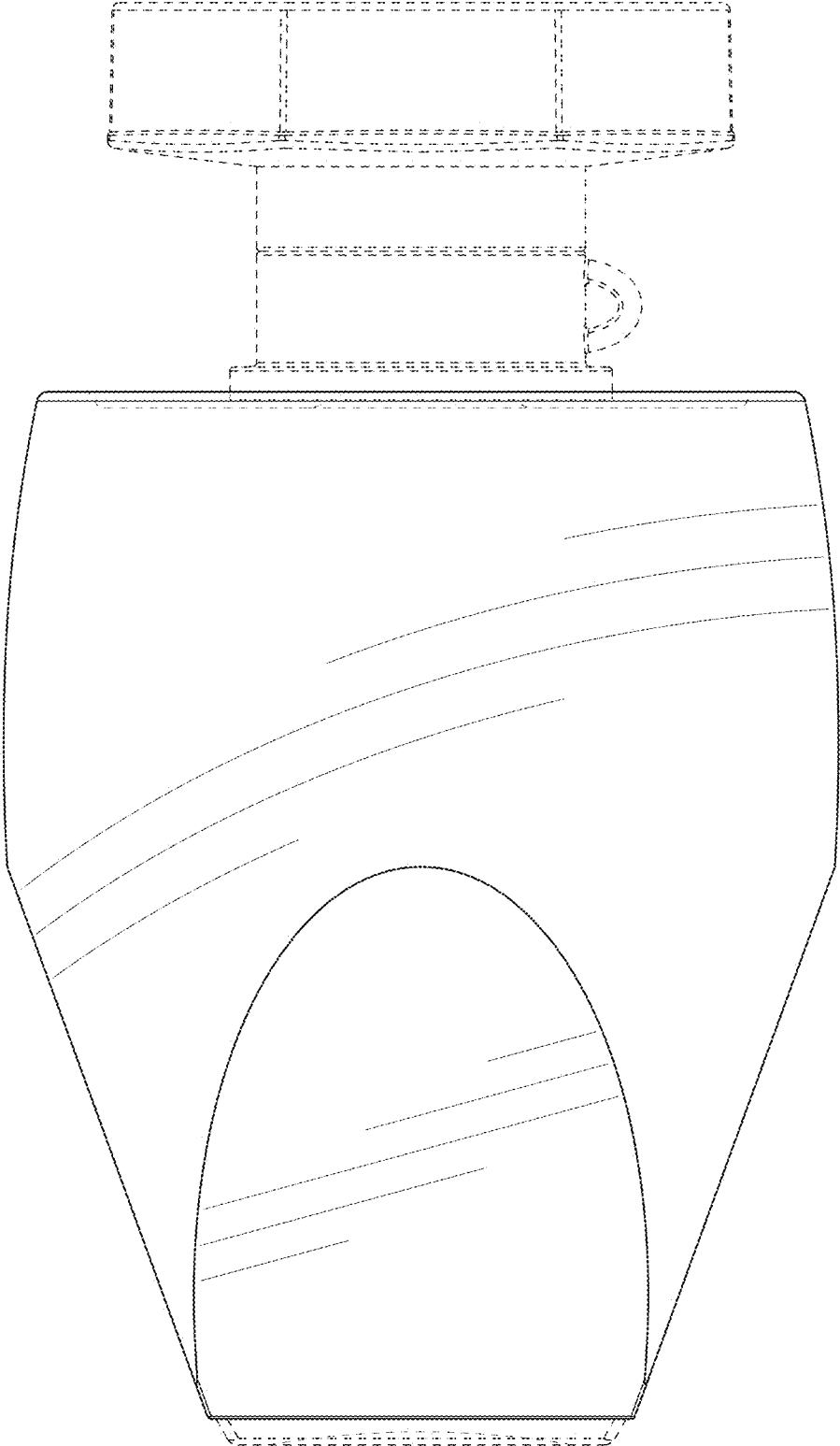


FIG. 2

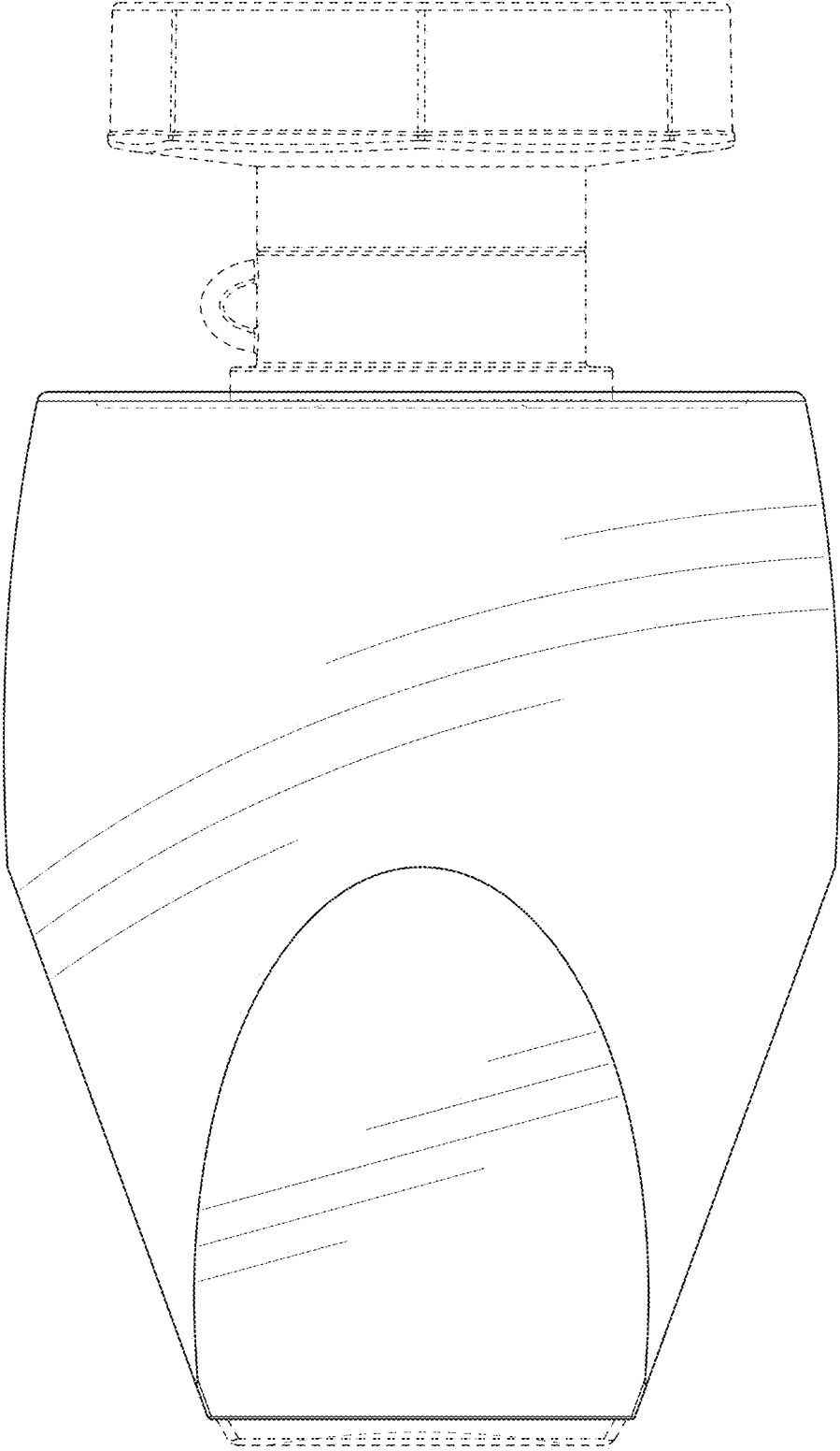


FIG. 3

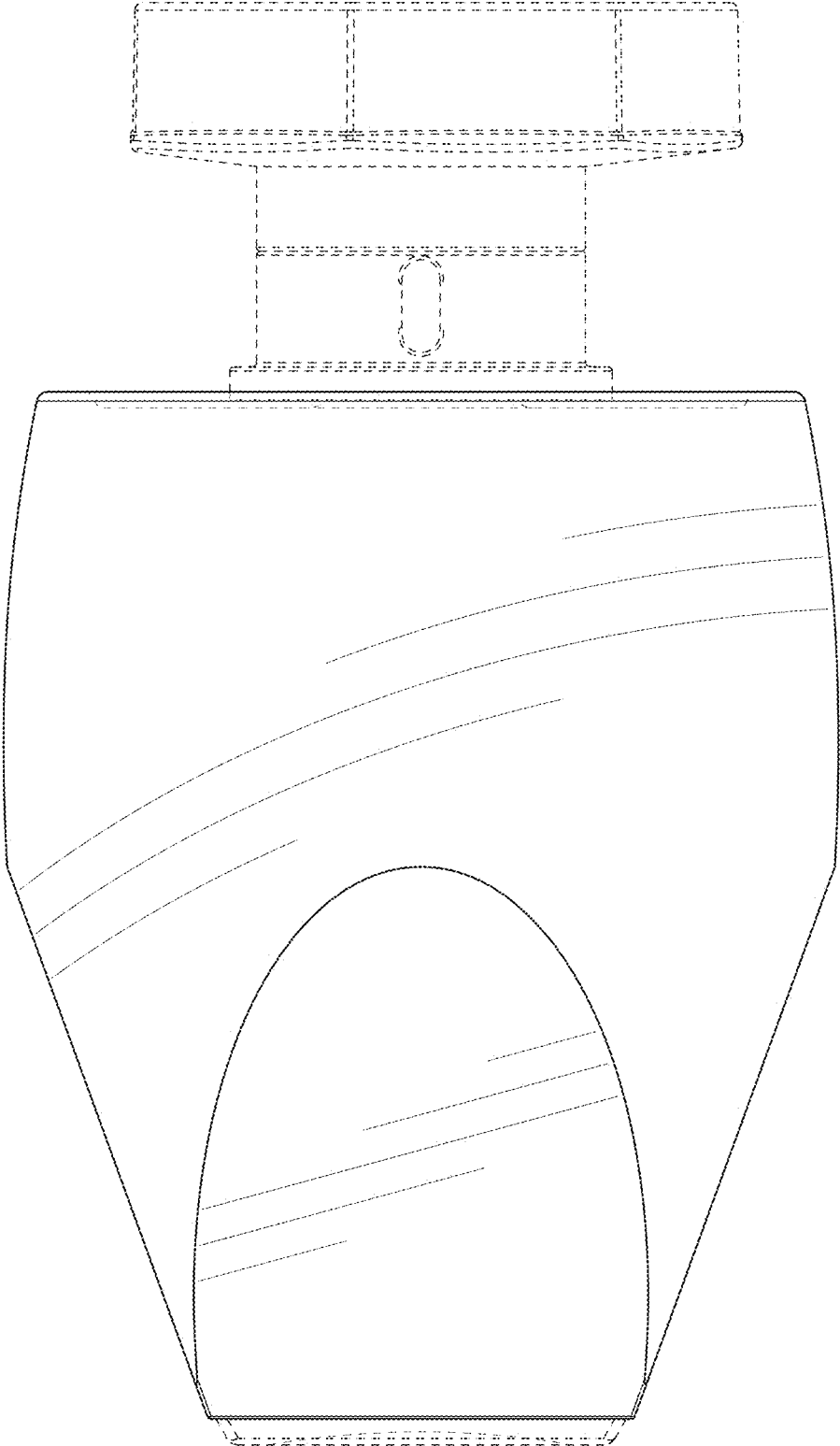


FIG. 4

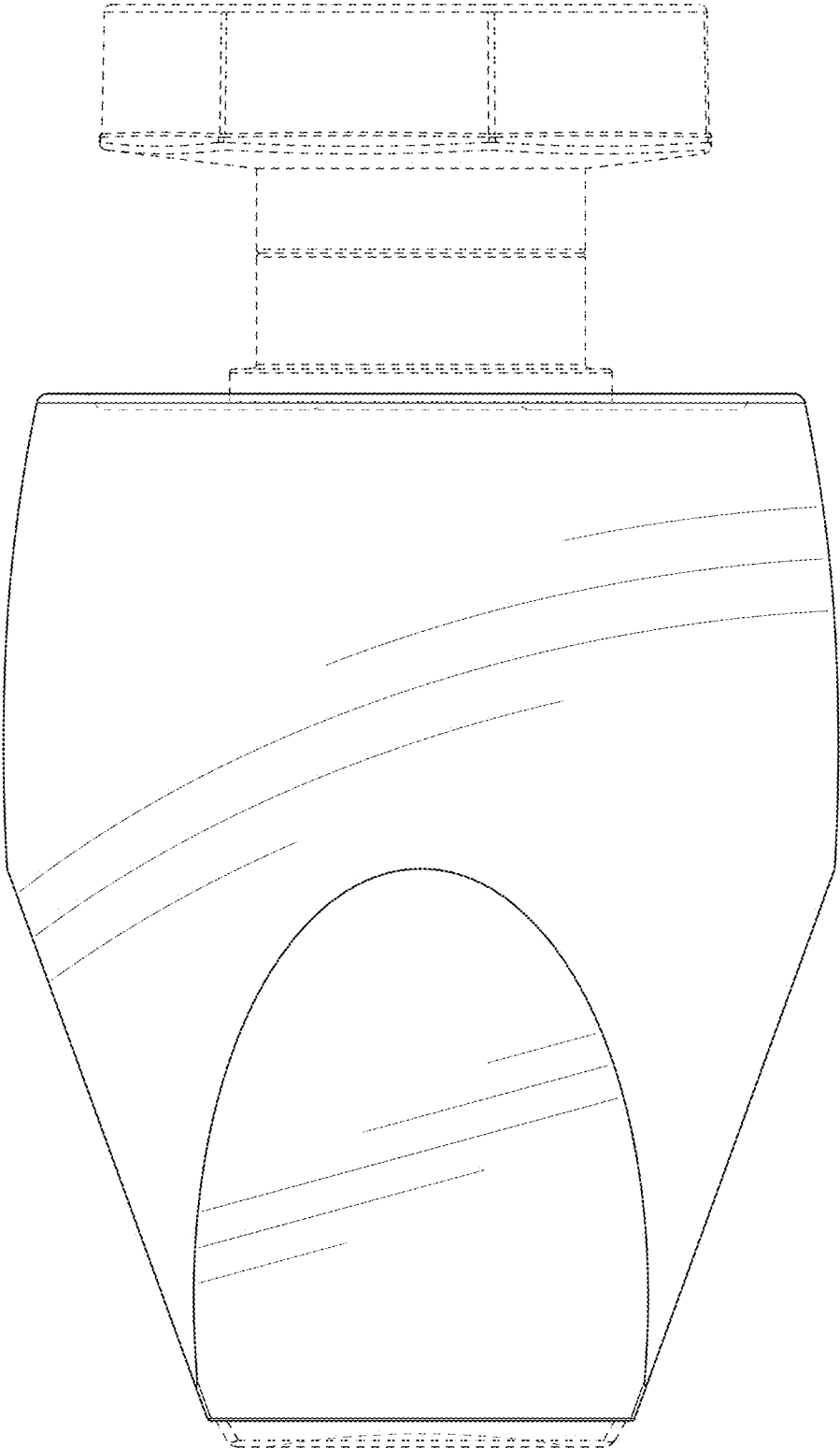


FIG. 5

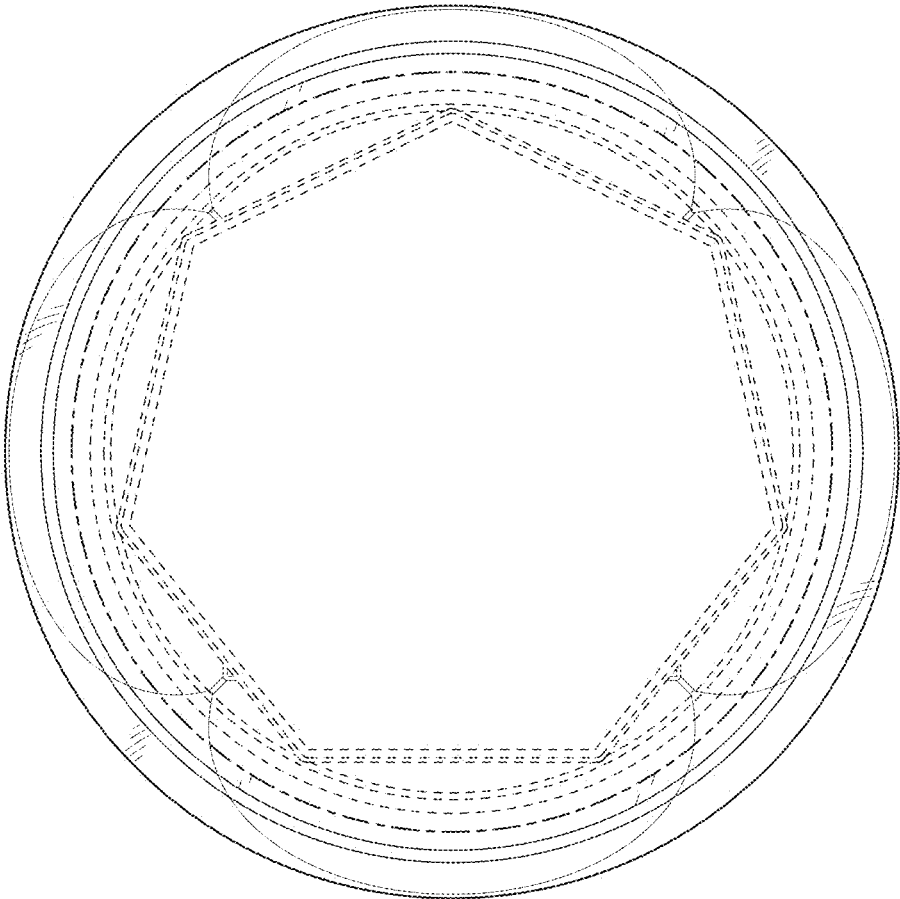


FIG. 6



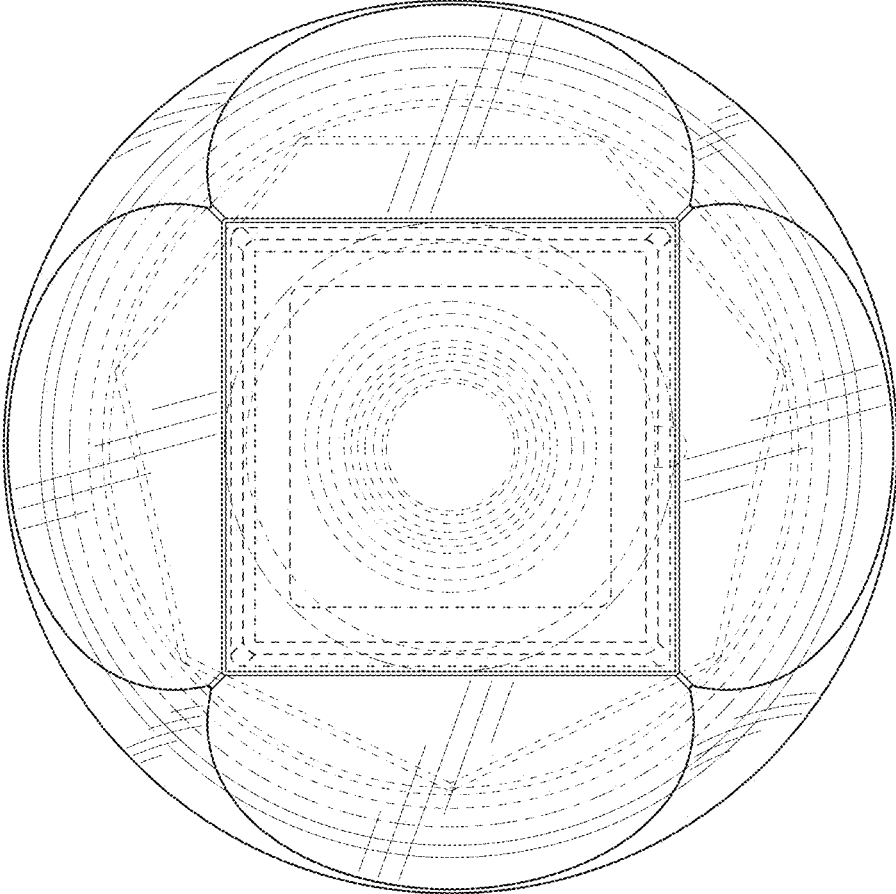


FIG. 7

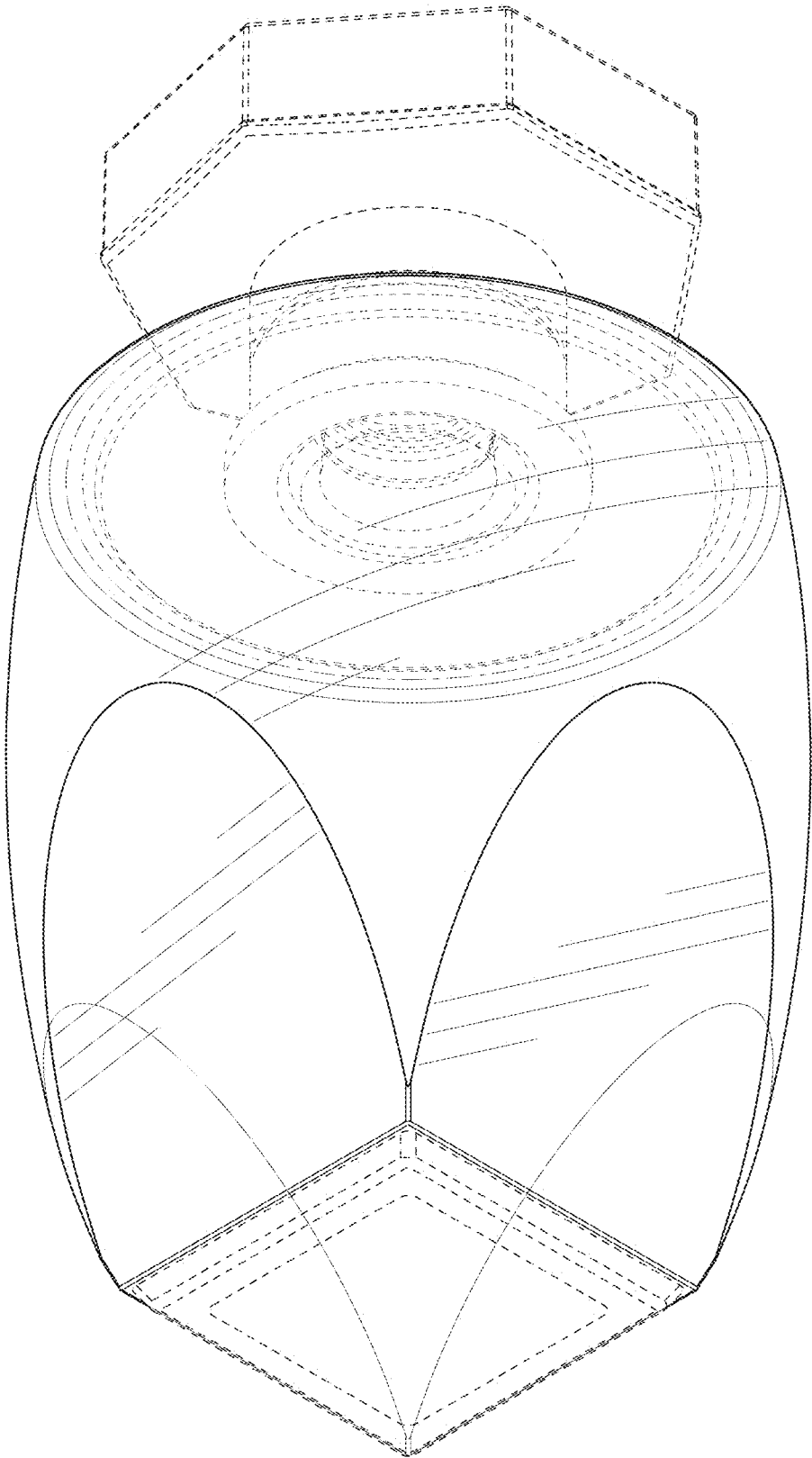


FIG. 8