



US00D770910S

(12) **United States Design Patent** (10) **Patent No.:** **US D770,910 S**
Monteparo et al. (45) **Date of Patent:** **** Nov. 8, 2016**

(54) **BOTTLE**

OTHER PUBLICATIONS

- (71) Applicant: **Victoria's Secret Stores Brand Management, Inc.**, Reynoldsburg, OH (US)
- (72) Inventors: **Sandra Monteparo**, Brooklyn, NY (US); **Alyson Aversa**, New York, NY (US); **Deanna Hamel**, Brooklyn, NY (US); **Karin Kleen**, Brooklyn, NY (US)
- (73) Assignee: **Victoria's Secret Stores Brand Management, Inc.**, Reynoldsburg, OH (US)

Barron, Lynne, Corsets and Kisses, webpage, Apr. 2015, <http://www.lynnebarron.com/2015/04/>, p. 5, web site visited on Jun. 13, 2016 and Aug. 2, 2016.

(Continued)

Primary Examiner — Sandra Morris
(74) *Attorney, Agent, or Firm* — Andrus Intellectual Property Law, LLP

(**) Term: **15 Years**

(57) **CLAIM**
The ornamental design for a bottle, as shown and described.

- (21) Appl. No.: **29/553,626**
- (22) Filed: **Feb. 3, 2016**
- (51) **LOC (10) Cl.** **09-01**
- (52) **U.S. Cl.**
USPC **D9/631; D9/520; D9/574**
- (58) **Field of Classification Search**
USPC D3/270, 271.1–271.4; D7/514–520, D7/599, 604, 613, 619.2, 623, 628; D9/600, 614, 621–622, 631, 500, D9/502–505, 516, 537–546, 549–553, D9/556–557, 574–575; 206/457, 459.5, 206/527; 215/381–384, 400; 220/288
CPC .. B65D 5/4258; B65D 81/60; B65D 81/365; B65D 81/366; B65D 81/368; B65D 2203/00; B65D 2203/02
See application file for complete search history.

DESCRIPTION

FIG. 1 is a top perspective view of a first embodiment of a bottle according to our new and ornamental design; FIG. 2 is a rear elevation view thereof; FIG. 3 is a front elevation view thereof; FIG. 4 is a right side elevation view thereof; FIG. 5 is left side elevation view thereof; FIG. 6 is a top plan view thereof; FIG. 7 is a bottom plan view thereof; and FIG. 8 is a bottom perspective view thereof. FIG. 9 is a top perspective view of a second embodiment of a bottle according to our new and ornamental design; FIG. 10 is a rear elevation view thereof; FIG. 11 is a front elevation view thereof; FIG. 12 is a right side elevation view thereof; FIG. 13 is left side elevation view thereof; FIG. 14 is a top plan view thereof; FIG. 15 is a bottom plan view thereof; and FIG. 16 is a bottom perspective view thereof. The broken lines in the drawings represent stitching and are directed to environmental subject matter; the broken lines form no part of the claimed design. The middle region of the bottle is shown broken away to indicate that the precise height of the bottle is not claimed. The appearance of any portion of the bottle between the two break lines forms no part of the claim, although it is to be understood that the laced-up ribbon pattern shown in FIGS. 2 and 10 repeats at regular intervals along the height of the article.

(56) **References Cited**

U.S. PATENT DOCUMENTS

- D120,989 S * 6/1940 Kihn D9/631
- D172,691 S * 7/1954 Slavin D9/544

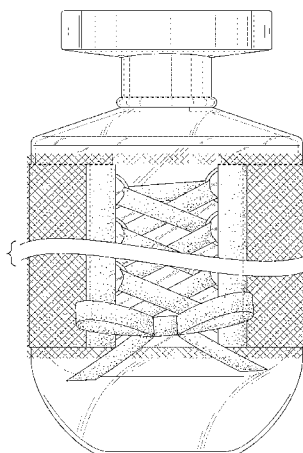
(Continued)

FOREIGN PATENT DOCUMENTS

- EM 001687377-0001 4/2010
- EM 001687377-0003 4/2010

(Continued)

1 Claim, 14 Drawing Sheets



(56)

References Cited

U.S. PATENT DOCUMENTS

D283,598	S *	4/1986	Heriard-Dubreuil	D9/520
D283,795	S *	5/1986	Demourgues	D9/573
4,867,214	A	9/1989	Fuller		
D379,676	S	6/1997	Gaultier		
D390,779	S	2/1998	Walter		
D422,507	S *	4/2000	Luzzi	D9/544
D482,288	S *	11/2003	Telles	D9/520
D499,028	S *	11/2004	Faillant-Dumas	D9/544
D544,365	S *	6/2007	Werner	D9/520
D559,698	S *	1/2008	Rica	D9/544
D562,143	S *	2/2008	Didier	D9/544
D639,667	S *	6/2011	Bogert	D9/544
D656,827	S *	4/2012	Mandell	D9/516
D659,546	S	5/2012	Chiott		
D659,909	S *	5/2012	Ancorotti	D9/621
D755,570	S *	5/2016	Weber	D9/621
2008/0217388	A1	9/2008	Brayshaw		
2009/0094870	A1	4/2009	Isserow et al.		

FOREIGN PATENT DOCUMENTS

EM	002015180-0002	4/2012
EM	002226001-0001	5/2014
EM	002226001-0002	5/2014

OTHER PUBLICATIONS

Juicyballoons, 6 Aqua and White Corset Candle Holders for Quinceanera or Wedding (Handmade), webpage, https://www.etsy.com/listing/236612836/6-aqua-and-white-corset-candle-holders?ga_order=most_relevant&ga_search_type=all&ga_view_type=gallery&ga_sea%E2%80%A6=, web site visited on Jun. 13, 2016.

Momsandmunchkins, Corset Bottle Wraps, webpage, at least as early as Dec. 29, 2015, https://www.etsy.com/listing/217895281/corset-bottle-wraps?ga_order=most_relevant&ga_search_type=all&ga_view_type=gallery&ga_search_query=corset&r%E2%80%A6=, web site visited on Jun. 13, 2016.

Lingerie Talk, Gaultier's Message in a Bottle—Lingerie Talk, webpage, Jul. 15, 2013, <http://www.lingerietalk.com/2013/07/15/lingerie-news/gaultiers-message-in-a-bottle.html>, pp. 14-15, 17-18, 22, web site visited on Jun. 13, 2016.

Pintrest, Wine/Coffe Covers, webpage, <https://www.pinterest.com/pin/358951032774142624/>, web site visited Jun. 13, 2016.

Delightfully Vintage Stuff, Vintage Corset Perfume Bottle Milart Naughty '90s Figural Presentation Dome, webpage, Jan. 2016, <http://delightfullyvintage.blogspot.com/2016/01/vintage-corset-perfume-bottle-milart.html>, pp. 1-6, web site visited Jun. 13, 2016.

* cited by examiner

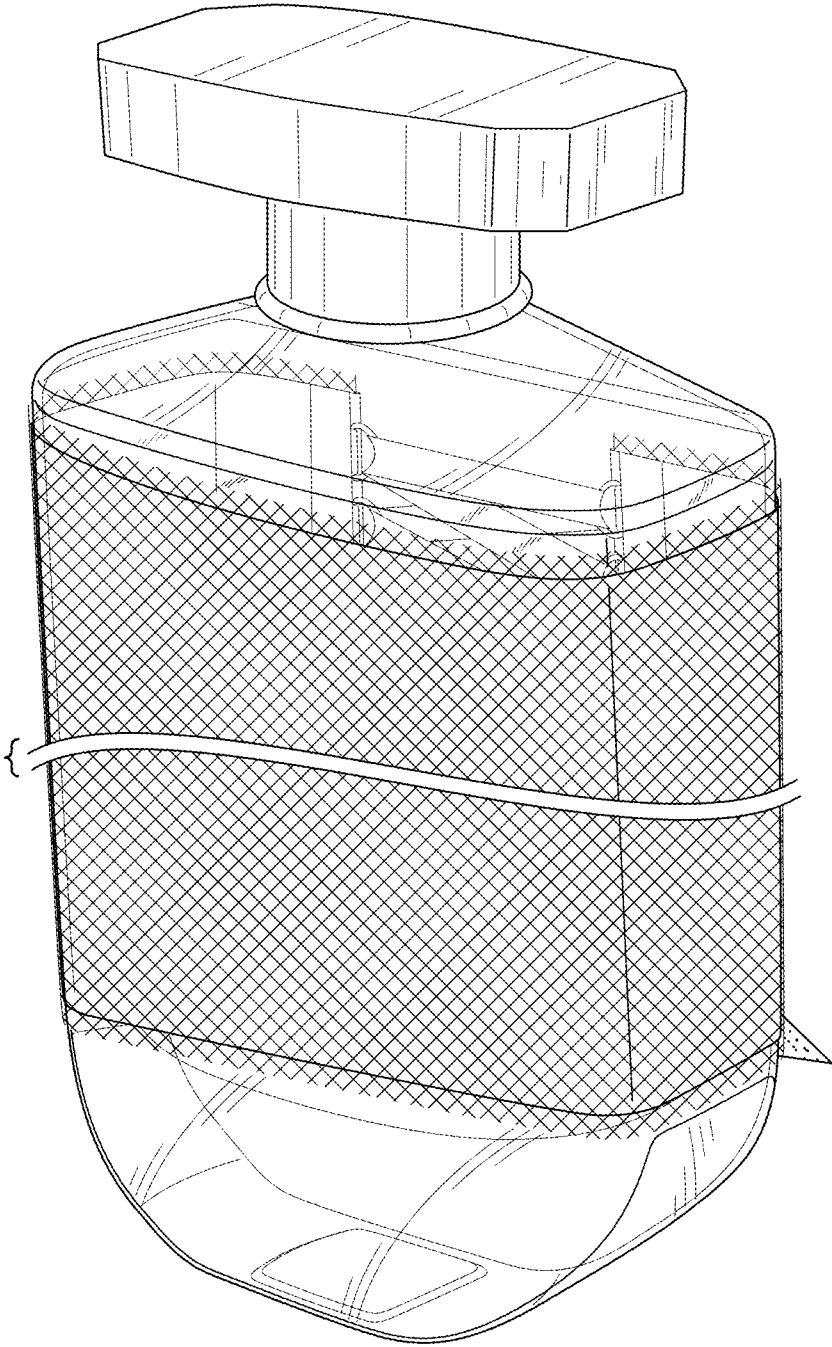


FIG. 1

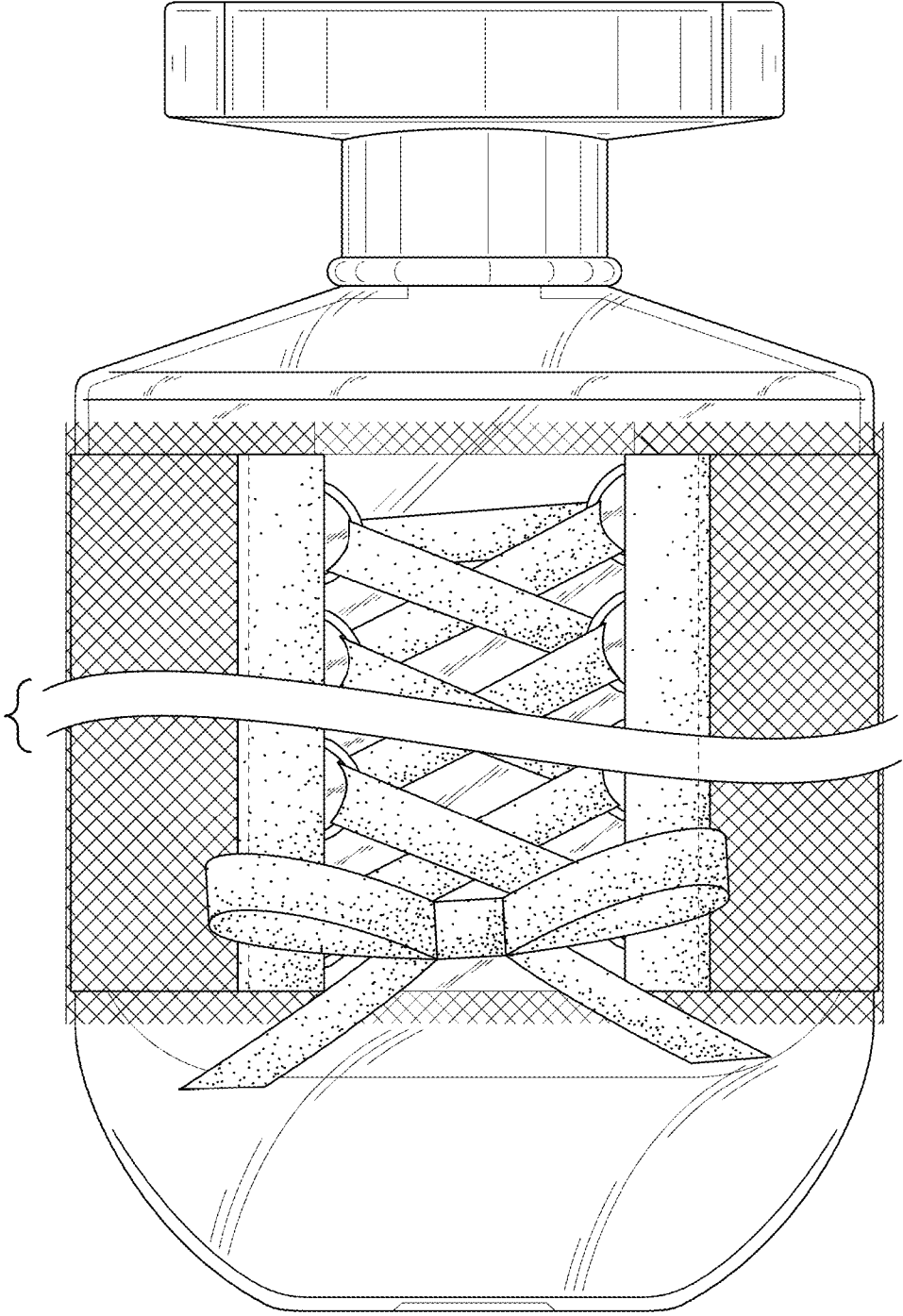


FIG. 2

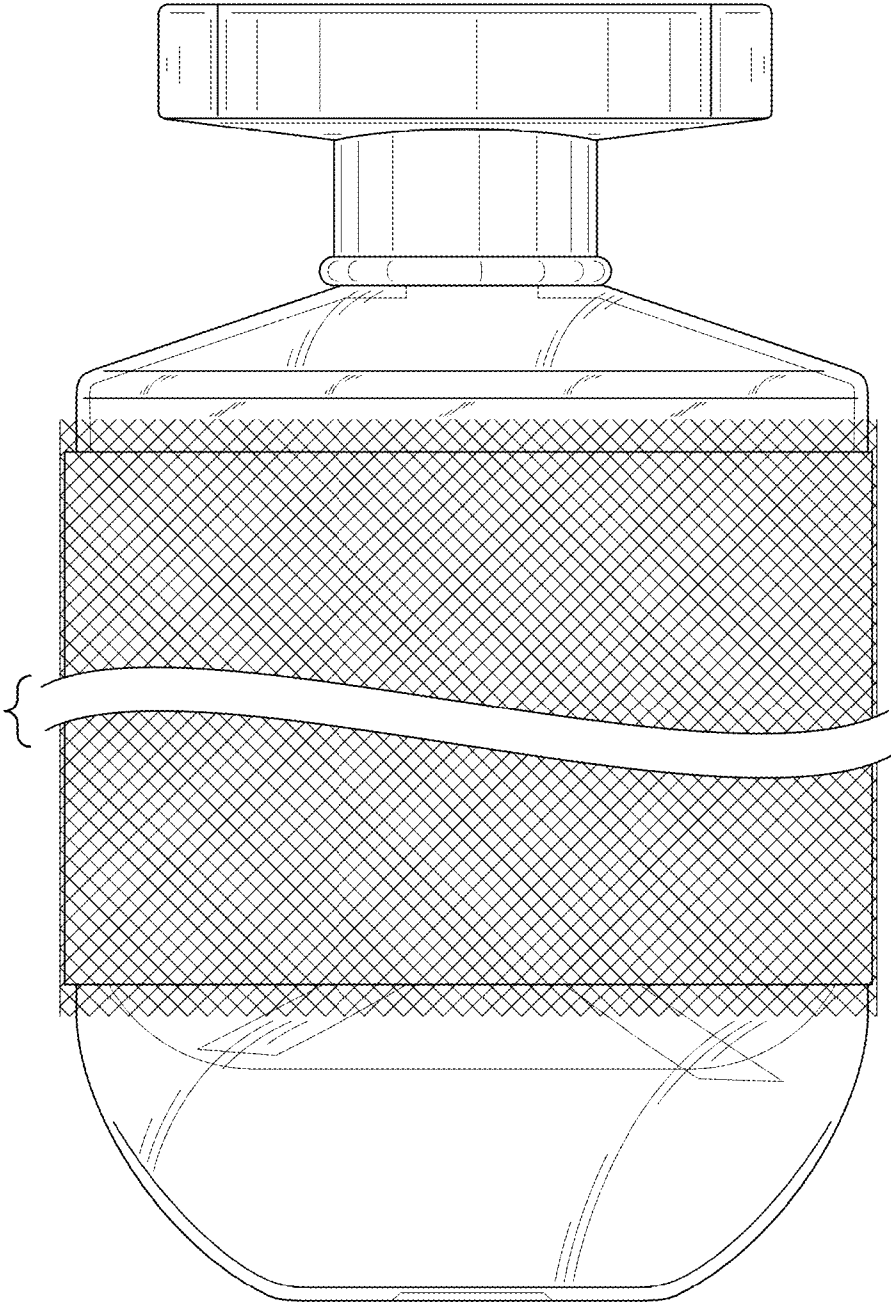


FIG. 3

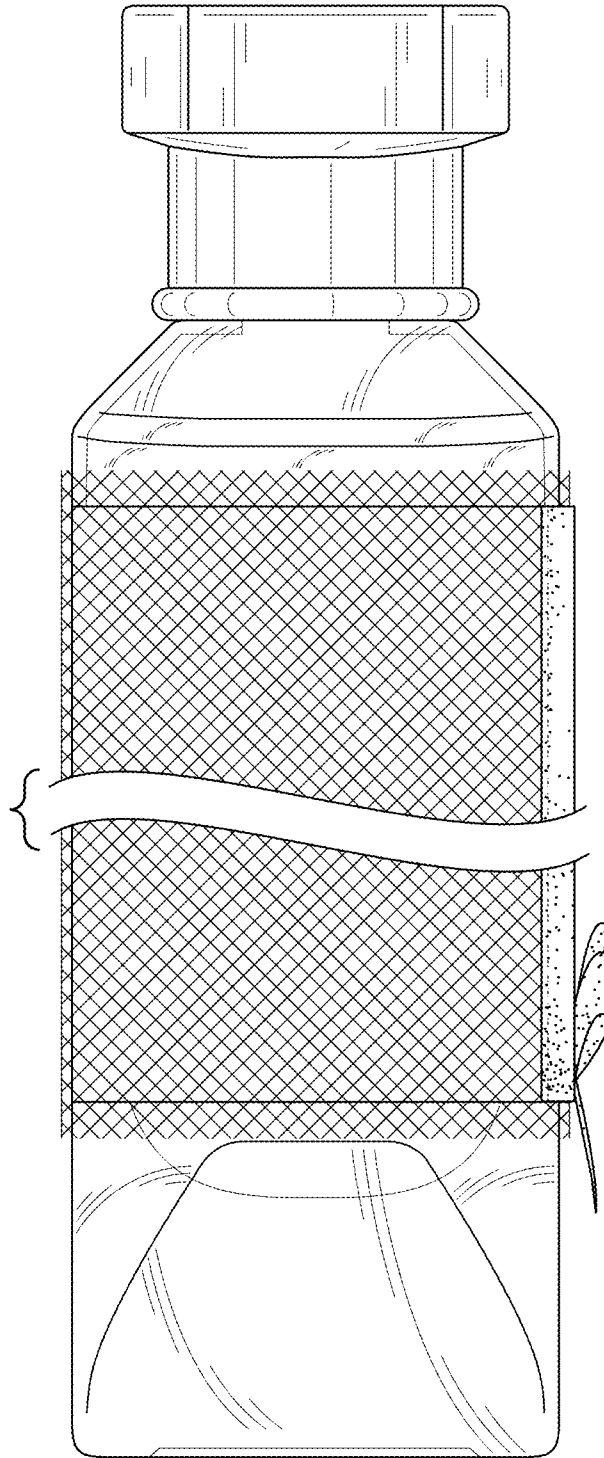


FIG. 4

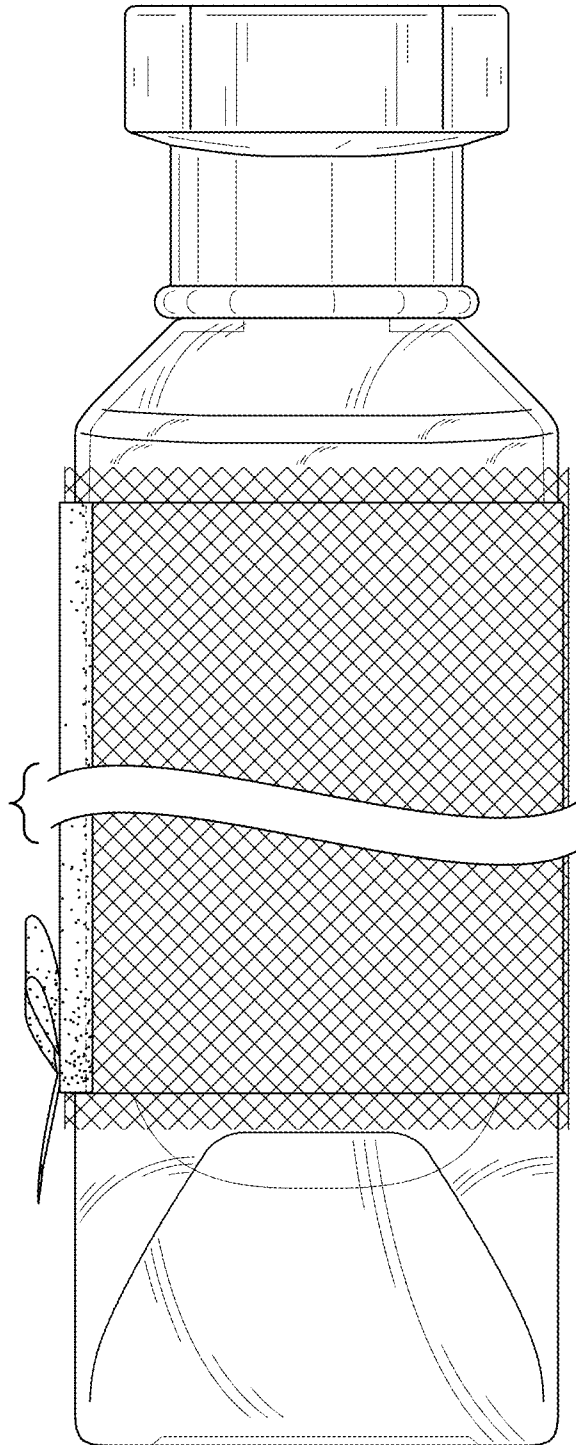


FIG. 5

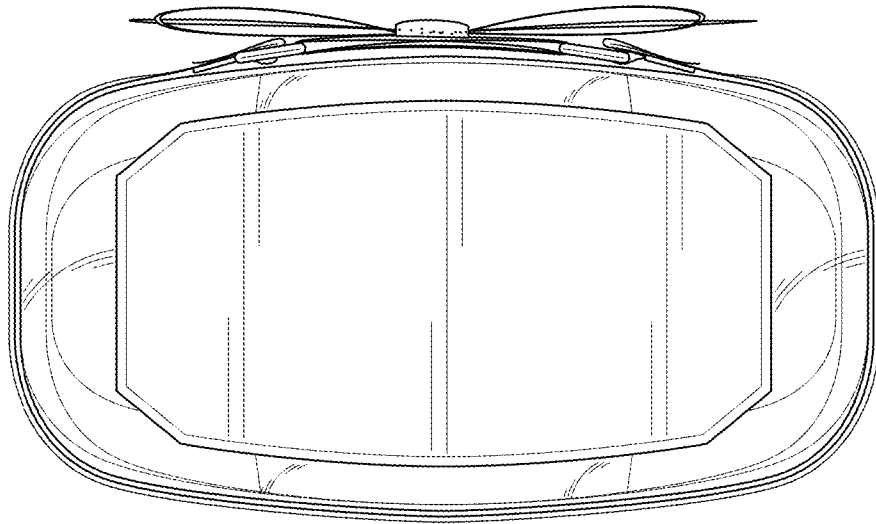


FIG. 6

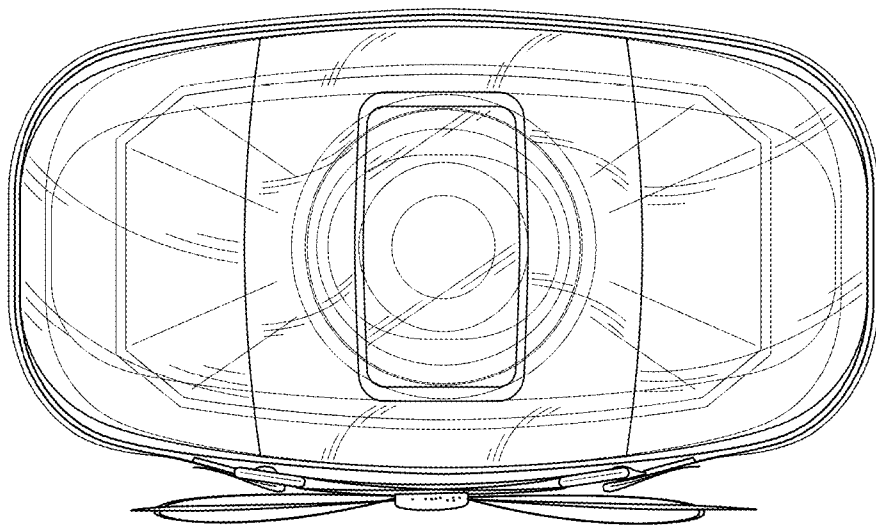


FIG. 7

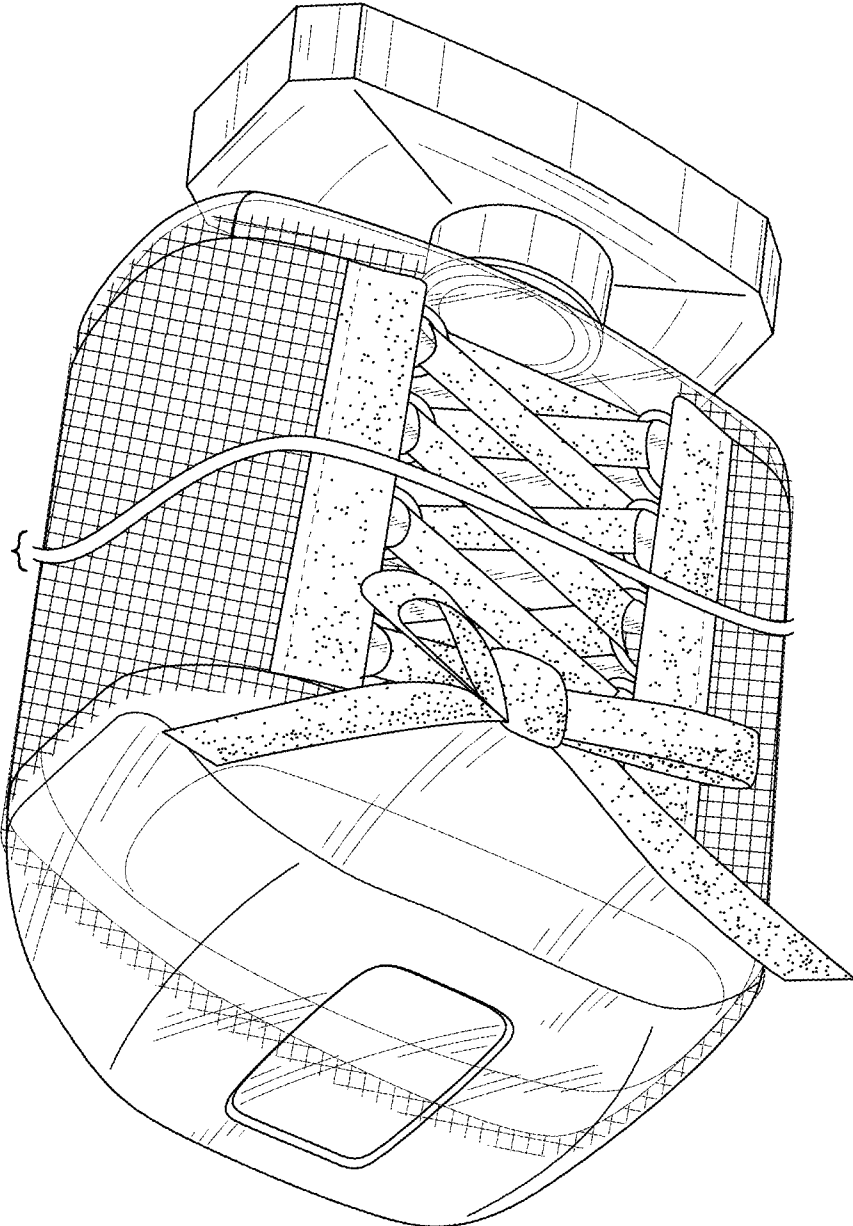


FIG. 8

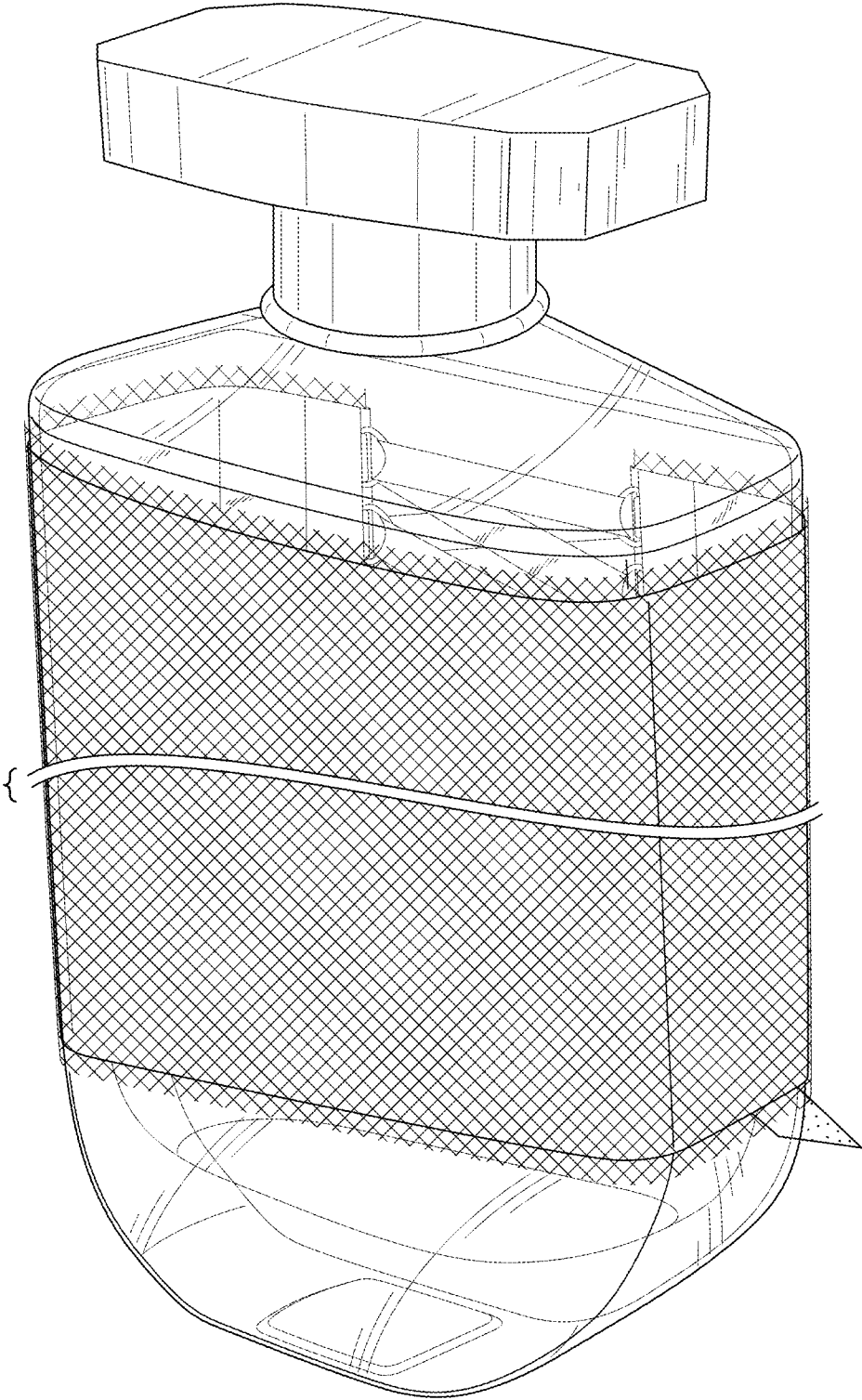


FIG. 9

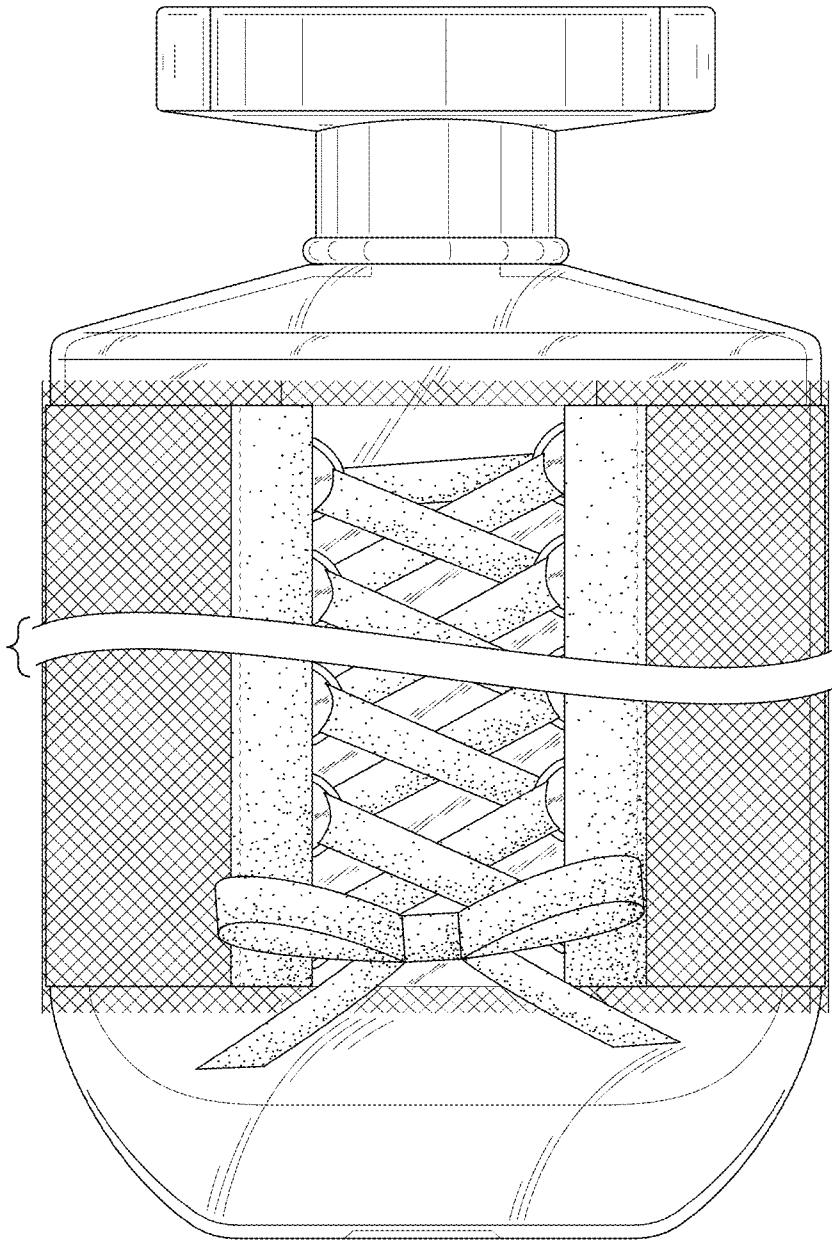


FIG. 10

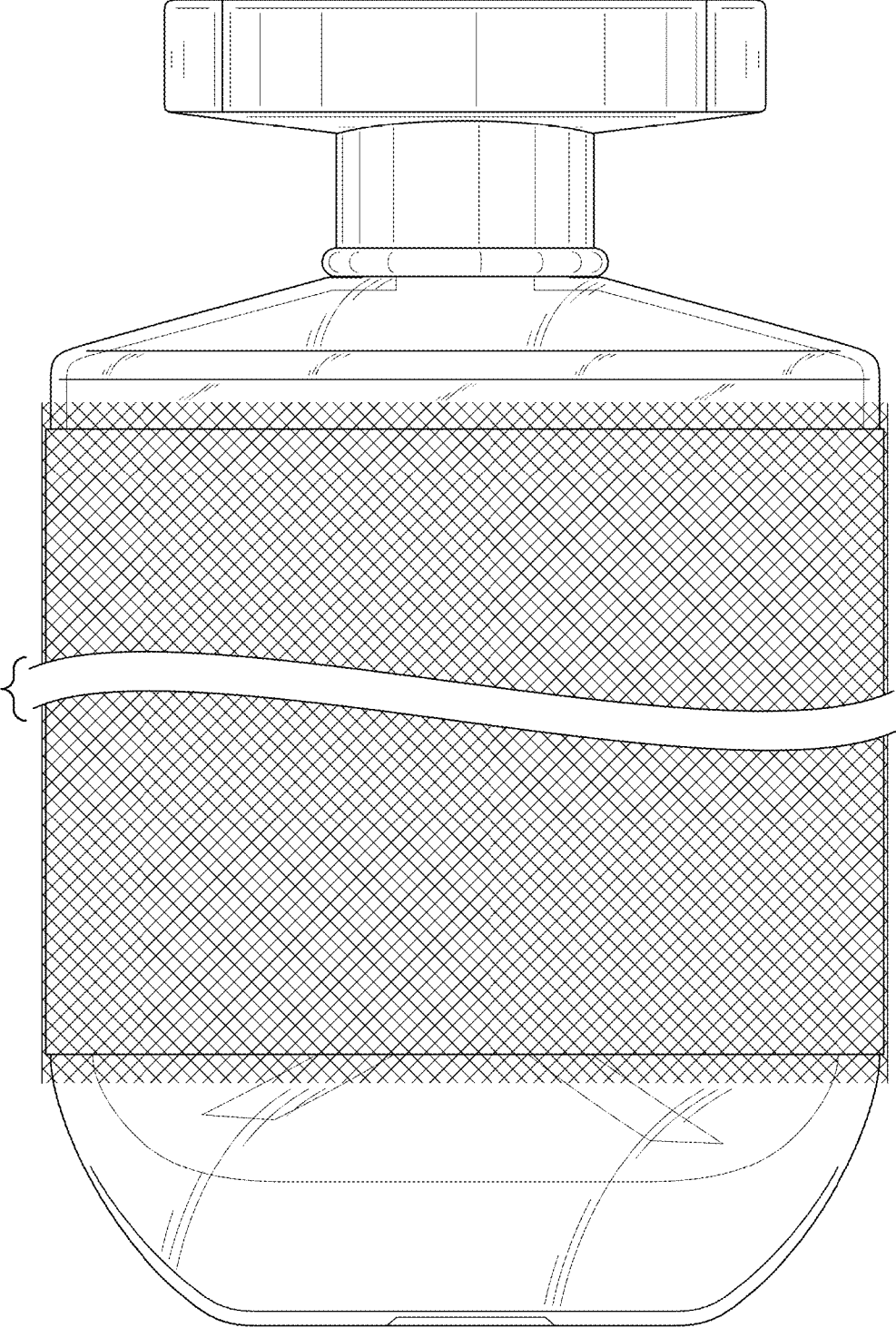


FIG. 11

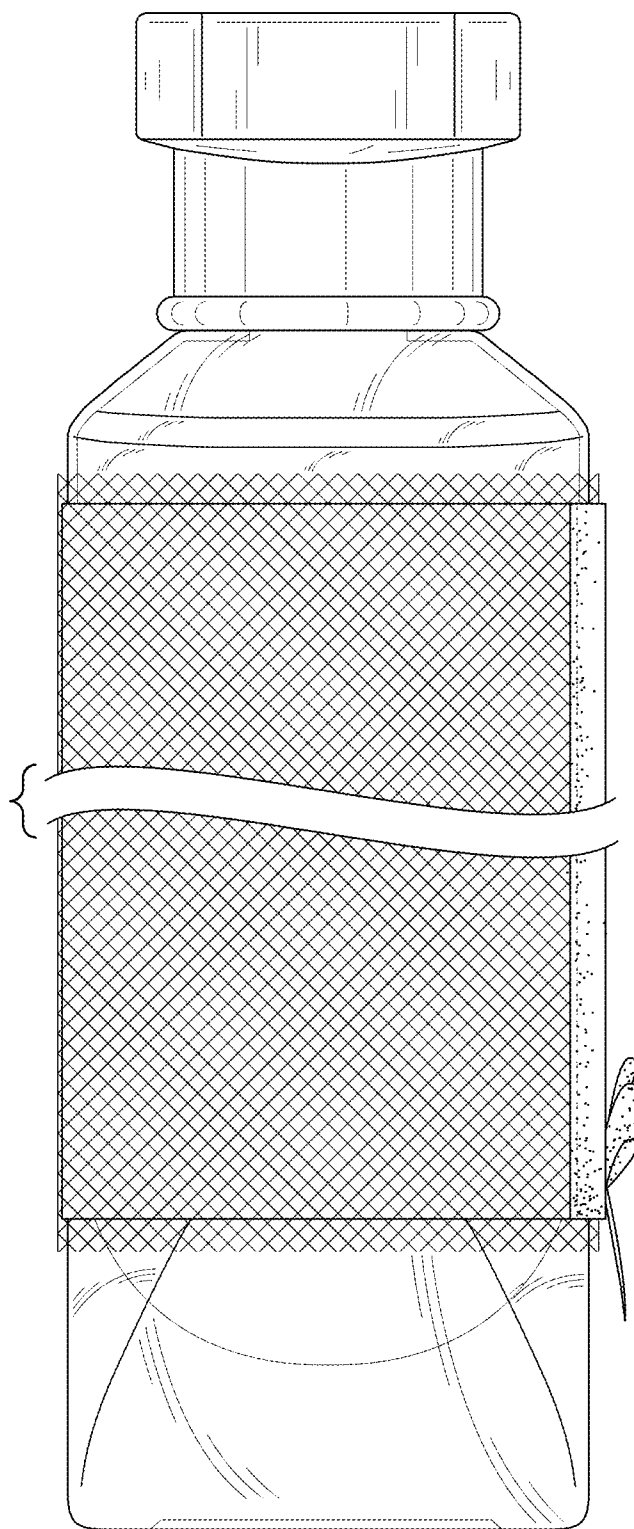


FIG. 12

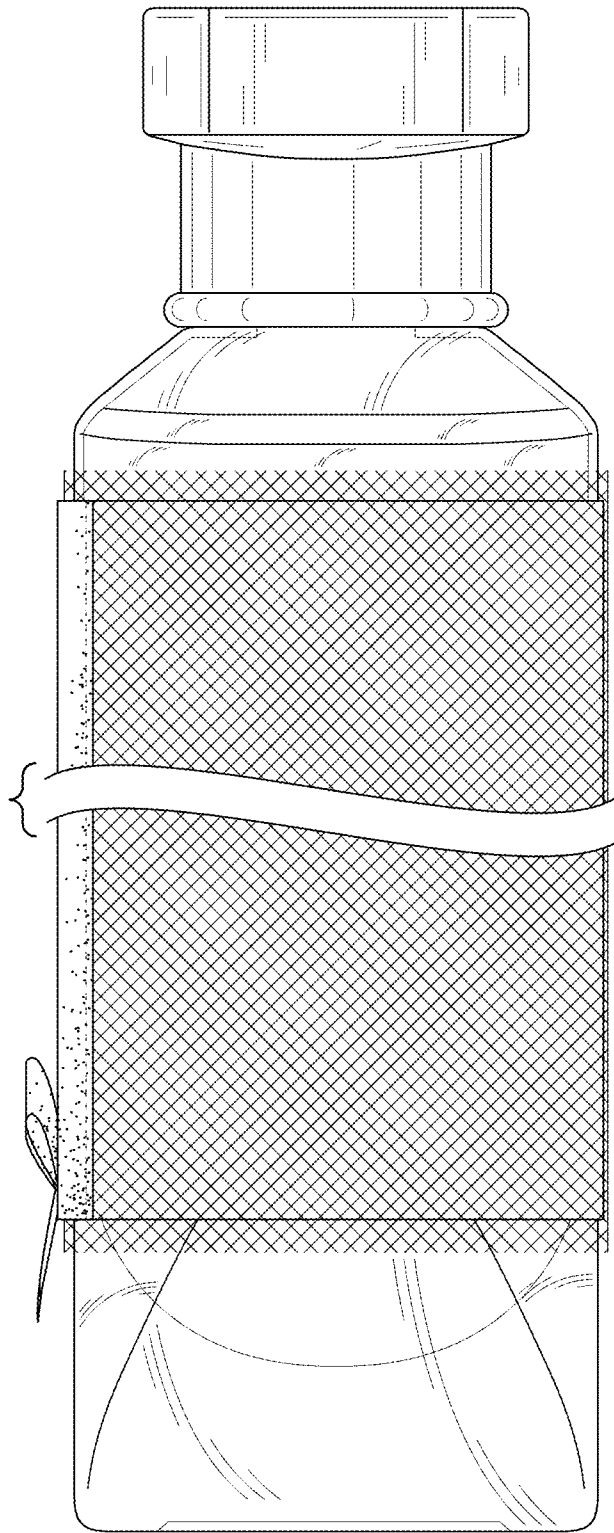


FIG. 13

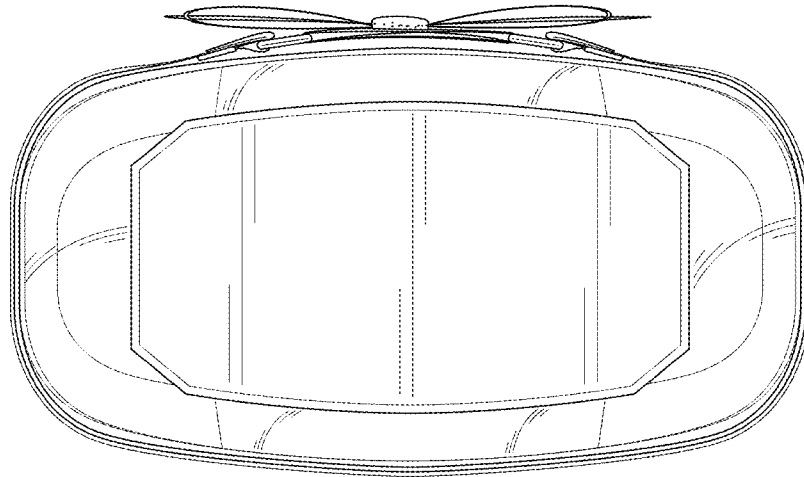


FIG. 14

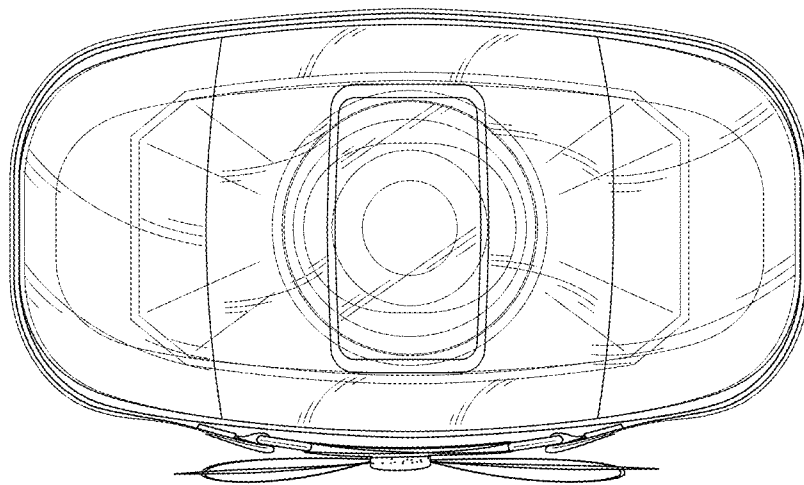


FIG. 15

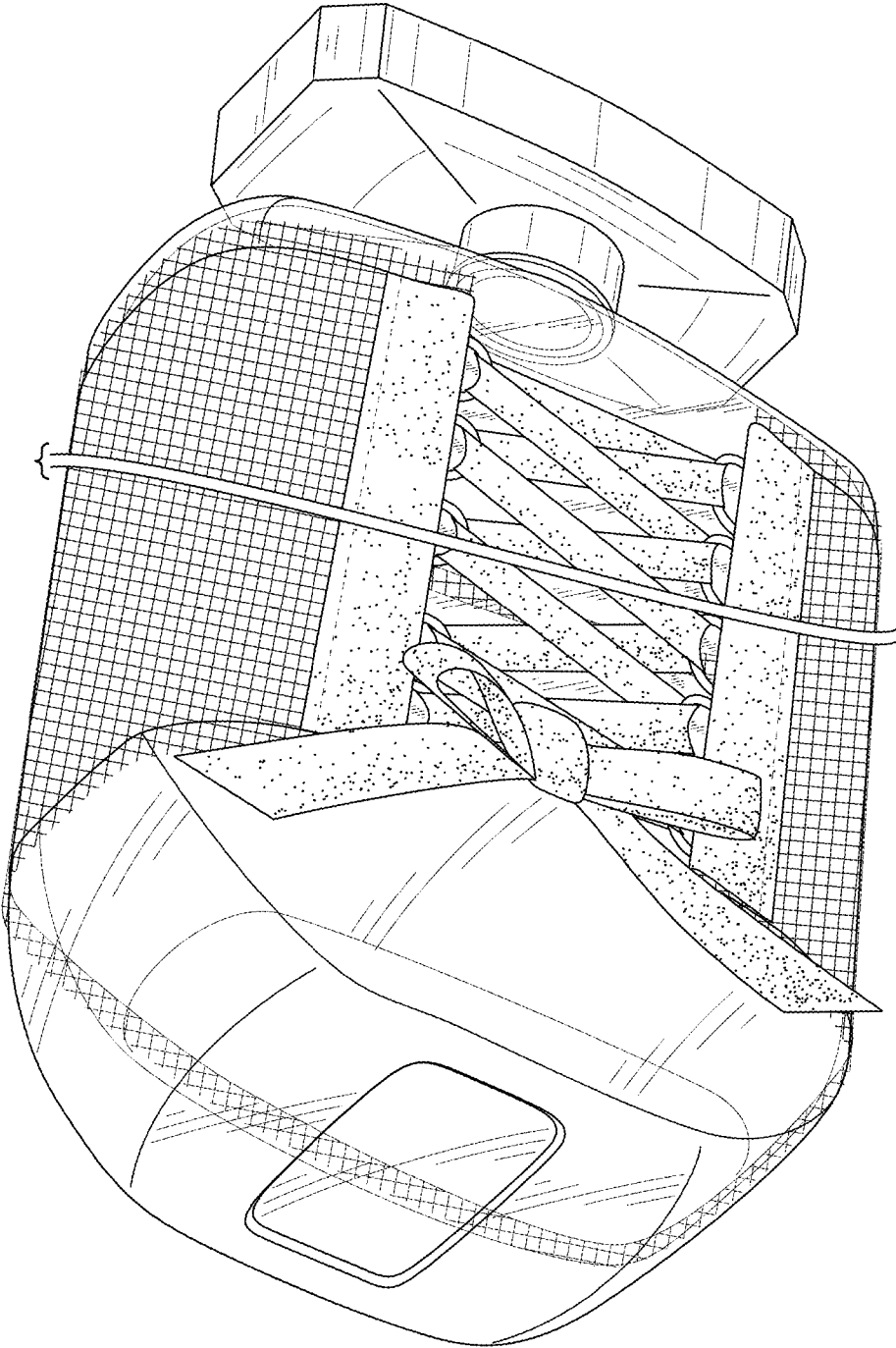


FIG. 16