



US00D863971S

(12) **United States Design Patent**
Monteparo et al.

(10) **Patent No.:** **US D863,971 S**

(45) **Date of Patent:** **** Oct. 22, 2019**

(54) **BOTTLE**

(71) Applicant: **Victoria's Secret Stores Brand Management, Inc.**, Reynoldsburg, OH (US)

(72) Inventors: **Sandra Monteparo**, Brooklyn, NY (US); **Jeffrey Uhl**, New York, NY (US); **Alyson Aversa**, New York, NY (US); **Karin Kleen**, Brooklyn, NY (US)

(73) Assignee: **Victoria's Secret Stores Brand Management, Inc.**, Reynoldsburg, OH (US)

(**) Term: **15 Years**

(21) Appl. No.: **29/642,047**

(22) Filed: **Mar. 27, 2018**

(51) **LOC (12) Cl.** **09-01**

(52) **U.S. Cl.**
USPC **D9/560; D9/544; D9/574**

(58) **Field of Classification Search**
USPC D9/432, 434-436, 452, 516, 530, D9/544-546, 559, 560, 564, 565, D9/570-575, 715, 719
CPC B65D 21/0204; B65D 2501/0081; B65D 1/0223; B65D 25/18; B65D 25/2897
See application file for complete search history.

(56) **References Cited**

U.S. PATENT DOCUMENTS

D194,810 S *	3/1963	Dupree	D7/300
D235,735 S *	7/1975	Dinand	D9/544
D345,698 S	4/1994	Gobe		
D348,832 S	7/1994	Gobe		
D352,906 S	11/1994	Gobe		
D362,391 S	9/1995	Gobe		
D366,422 S	1/1996	Gobe		
D428,577 S *	7/2000	Shanahan	D9/544

D519,844 S *	5/2006	Mansau	D9/573
D530,211 S	10/2006	Lloyd		
D531,911 S	11/2006	Lloyd		
D537,352 S *	2/2007	Spiegel	D9/535
D602,787 S *	10/2009	Gaultier	D9/572
D632,969 S	2/2011	Monteparo et al.		
D649,471 S	11/2011	Guglielmo et al.		
D650,690 S	12/2011	Guglielmo et al.		
D655,612 S	3/2012	Oge-Nichols		

(Continued)

Primary Examiner — Ian Simmons

Assistant Examiner — Keith Frank

(74) *Attorney, Agent, or Firm* — Andrus Intellectual Property Law, LLP

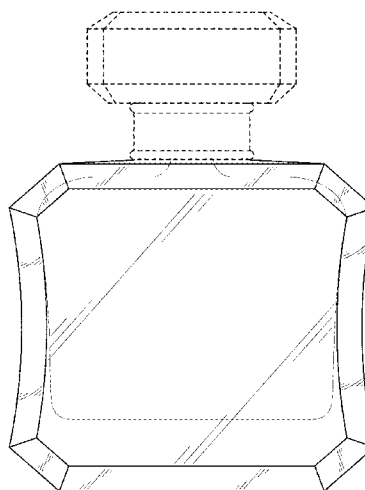
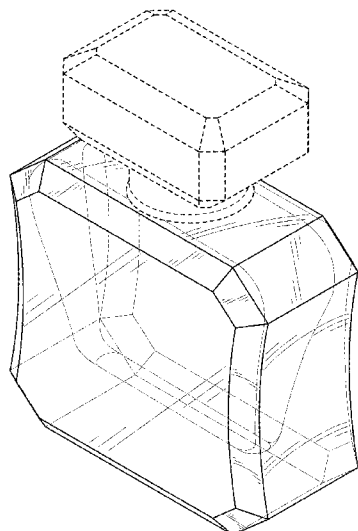
(57) **CLAIM**

The ornamental design for a bottle, as shown and described.

DESCRIPTION

FIG. 1 is a top perspective view of a first embodiment of a bottle according to our new and ornamental design; FIG. 2 is a front elevation view thereof, the rear elevation view being identical thereto; FIG. 3 is a side elevation view thereof, the opposite side elevation view being identical thereto; FIG. 4 is a top plan view thereof; FIG. 5 is a bottom plan view thereof; FIG. 6 is a bottom perspective view thereof; FIG. 7 is a top perspective view of a second embodiment of a bottle according to our new and ornamental design; FIG. 8 is a front elevation view thereof, the rear elevation view being identical thereto; FIG. 9 is a side elevation view thereof, the opposite side elevation view being identical thereto; FIG. 10 is a top plan view thereof; FIG. 11 is a bottom plan view thereof; and, FIG. 12 is a bottom perspective view thereof. The broken lines in FIGS. 1-12 illustrate portions of the bottle that form no part of the claimed design.

1 Claim, 10 Drawing Sheets



(56)

References Cited

U.S. PATENT DOCUMENTS

D664,039 S	7/2012	Monteparo et al.	
D670,176 S	11/2012	Monteparo et al.	
D671,008 S	11/2012	Monteparo et al.	
D678,073 S	3/2013	Oge-Nichols et al.	
D678,776 S *	3/2013	Lecetre	D9/544
D680,004 S *	4/2013	Lecetre	D9/544
D680,872 S	4/2013	Uribe et al.	
D686,371 S	7/2013	Moschitto et al.	
D737,689 S	9/2015	Monteparo	
D739,250 S *	9/2015	Rohit	D9/529
D741,721 S	10/2015	Monteparo et al.	
D751,408 S *	3/2016	Baron	D9/520
D763,095 S	8/2016	Monteparo	
D770,910 S	11/2016	Monteparo et al.	
D784,149 S *	4/2017	Funk	D9/520
D791,601 S *	7/2017	Hainaut	D9/543
D808,814 S *	1/2018	Lassus Daily	D9/542
D813,041 S *	3/2018	Staab	D9/522
D813,048 S	3/2018	Hamel et al.	
D822,495 S *	7/2018	Ericson	D9/546
D826,724 S *	8/2018	Staab	D9/574
D833,290 S *	11/2018	Byron	D9/559

* cited by examiner

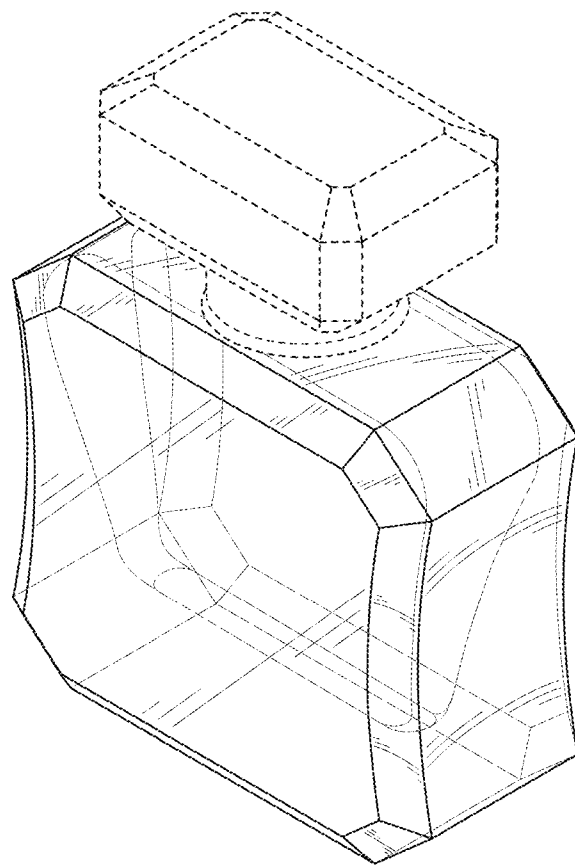


FIG. 1

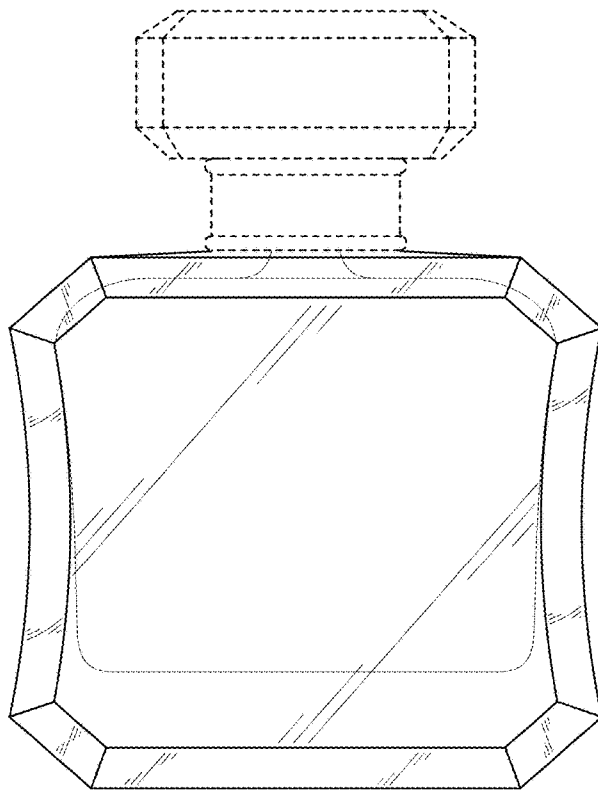


FIG. 2

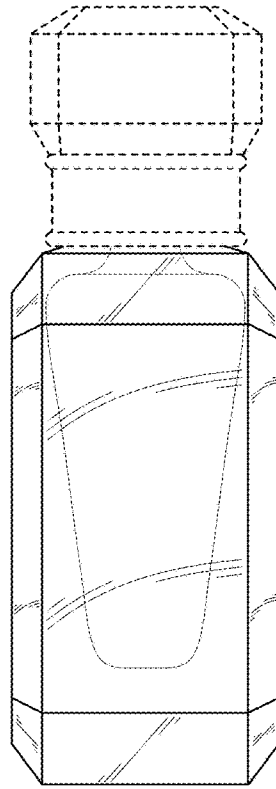


FIG. 3

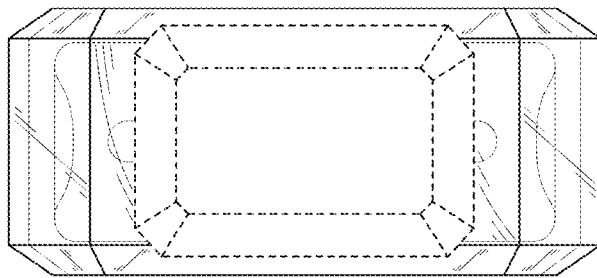


FIG. 4

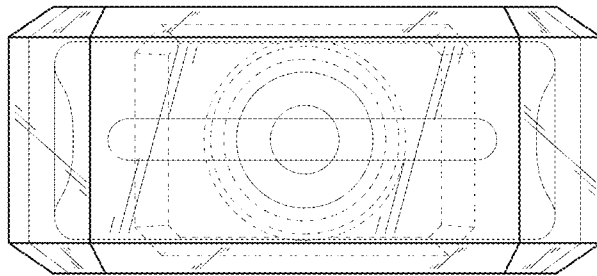


FIG. 5

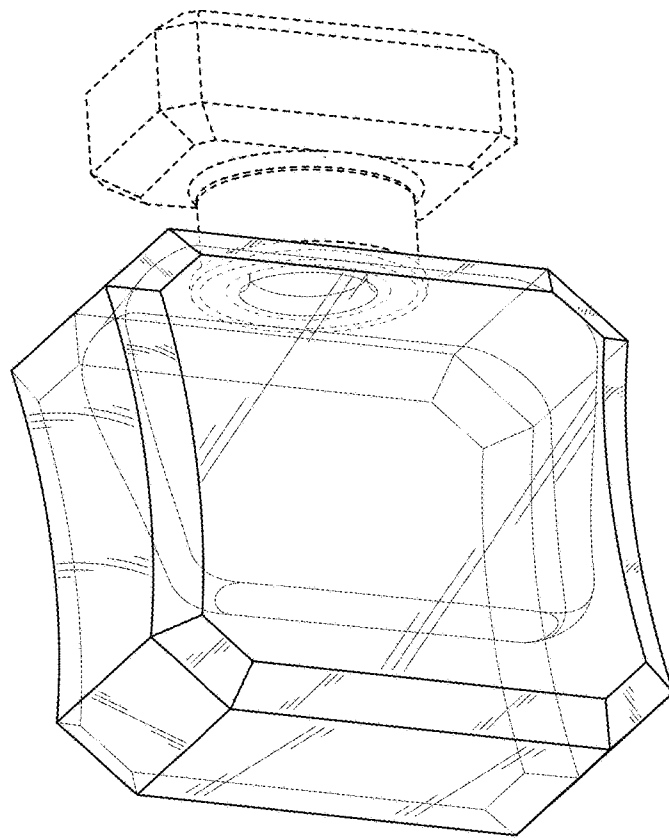


FIG. 6

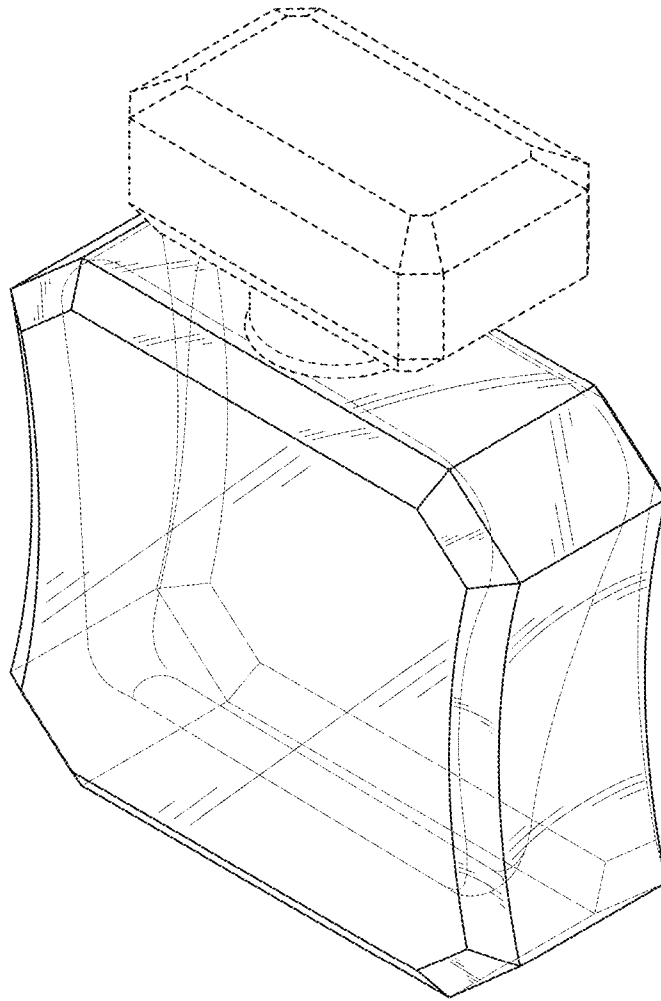


FIG. 7

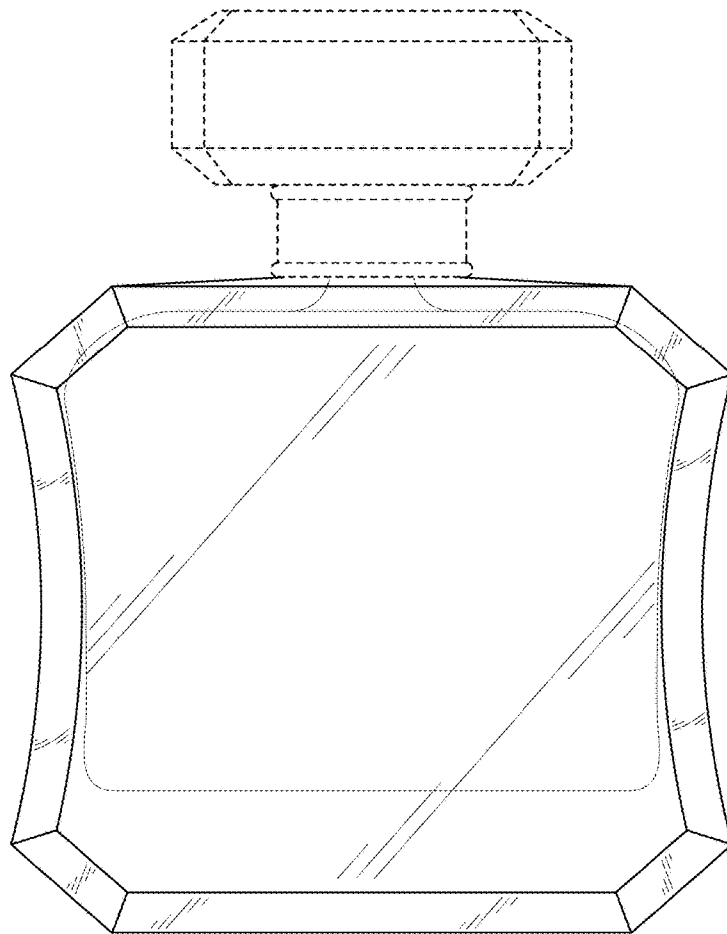


FIG. 8

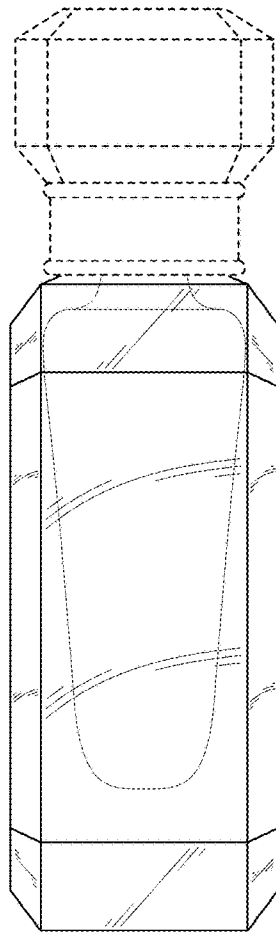


FIG. 9

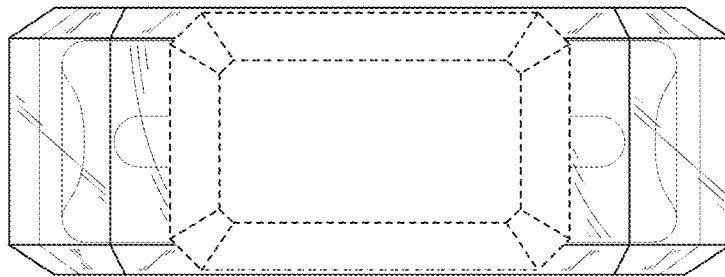


FIG. 10

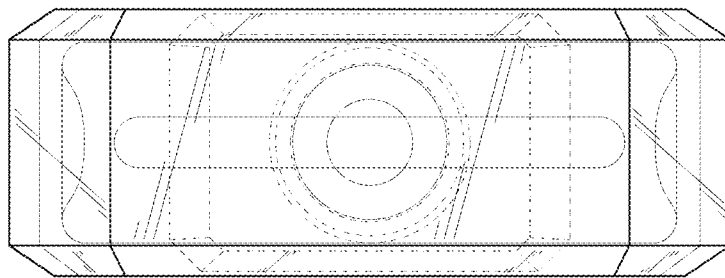


FIG. 11

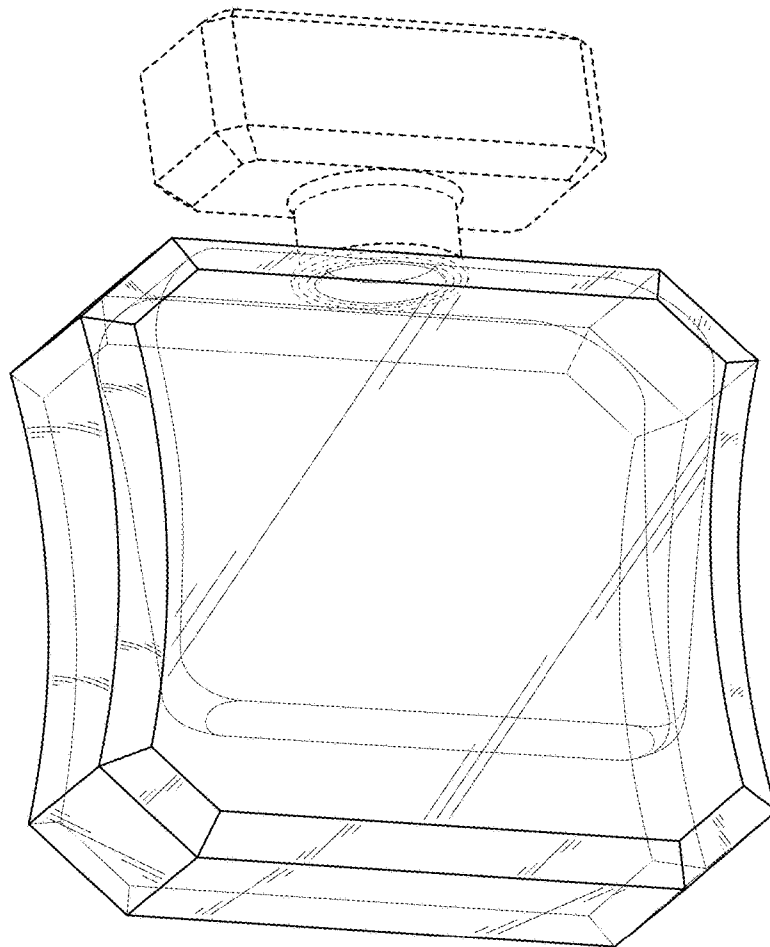


FIG. 12