

(12) **United States Design Patent** (10) **Patent No.:** **US D908,310 S**
Kriz et al. (45) **Date of Patent:** **** Jan. 26, 2021**

(54) **STRAPS FOR A GARMENT**

OTHER PUBLICATIONS

(71) Applicant: **Victoria's Secret Stores Brand Management, LLC**, Reynoldsburg, OH (US)

Luxelife Rhinestone Choker, posted 2016 [2016], (retrieved Feb. 26, 2020), Retrieved from the internet, https://www.amazon.com/LuxeLife-Rhinestone-Crystal-Necklace-Extender/dp/B011LYBLM6P/ref=Ip_15856460011_1_1?srs=15856460011&ie=UTF8&qid=1582837215&sr=8-1 (Year: 2016).*

(72) Inventors: **Allison Kriz**, New York, NY (US);
Kristen Baran, Freehold, NJ (US);
Toni Merone, Middletown, NJ (US)

(Continued)

Primary Examiner — Kevin K Rudzinski

Assistant Examiner — J. Thorn, Sr.

(73) Assignee: **Victoria's Secret Stores Brand Management, LLC**, Reynoldsburg, OH (US)

(74) *Attorney, Agent, or Firm* — Andrus Intellectual Property Law, LLP

(**) Term: **15 Years**

(57) **CLAIM**

The ornamental design for straps for a garment, as shown and described.

(21) Appl. No.: **29/678,641**

(22) Filed: **Jan. 30, 2019**

DESCRIPTION

(51) **LOC (13) Cl.** **02-01**

(52) **U.S. Cl.**

USPC **D2/706**

(58) **Field of Classification Search**

USPC D2/703–708, 736–737, 840; 450/1, 33; D11/16, 35

CPC A41C 3/00

See application file for complete search history.

FIG. 1 is a front perspective view of straps for a garment according to our new and ornamental design; FIG. 2 is a front elevation view thereof; FIG. 3 is a rear elevation view thereof; FIG. 4 is a rear perspective view thereof; FIG. 5 is an enlarged view of the area on the left-most strap for a garment noted in FIG. 1; and, FIG. 6 is an enlarged view of the area on the left-most strap for a garment noted in FIG. 2, wherein the right-most strap for a garment is a mirror image.

The dash-dot-dash lines between the solid line portions and the broken line portions of the straps for a garment show the boundaries of the claimed design and form no part of the claimed design. The brassiere shown in broken lines illustrates an environment in which the straps for a garment can be used and forms no part of the claimed design; the brassiere and straps are shown as they would be worn by a wearer. The broken lines shown representing enlarged sections of the claimed design illustrate the bounds of the areas for enlargement and form no part of the claimed design.

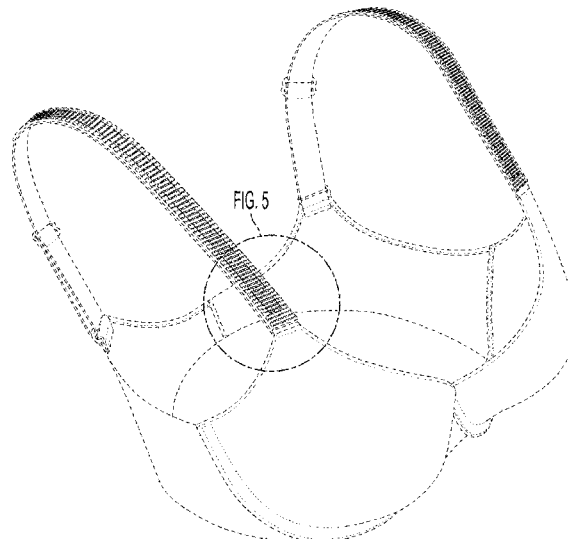
(56) **References Cited**

U.S. PATENT DOCUMENTS

| | | | | |
|--------------|---------|--------------|-------|---------|
| D42,643 S * | 6/1912 | Meyers | | D11/90 |
| D519,261 S * | 4/2006 | Reis | | D11/200 |
| D577,476 S * | 9/2008 | Hyde | | D2/639 |
| D578,732 S * | 10/2008 | Samuels | | D2/639 |
| D631,638 S * | 2/2011 | Jones | | D2/706 |
| D752,844 S * | 4/2016 | Martinet | | D2/706 |
| D763,545 S * | 8/2016 | Morin | | D2/706 |
| D783,440 S * | 4/2017 | Yatsugi-Kang | | D11/16 |
| D800,011 S * | 10/2017 | Riviere | | D11/16 |
| D838,622 S * | 1/2019 | Vivat | | D11/16 |

(Continued)

1 Claim, 6 Drawing Sheets



(56)

References Cited

U.S. PATENT DOCUMENTS

2007/0105482 A1* 5/2007 Styles-Gaviria A41F 15/002
450/88

OTHER PUBLICATIONS

Luckjewelrydu, "2row rhinestone crystal rhinestone bra straps silver plate party gifts," website, available at least as early as Dec. 17, 2018, available at https://www.dhgate.com/product/2row-rhinestone-crystal-rhinestone-bra-straps/396776027.html?utm_source=pla&utm_medium=GMC&utm_campaign=E2%80%A6.

Jazkim, "Strapless Bra Solution—Sexy Rhinestone Bra Straps," website, available at least as early as Dec. 17, 2018, available at https://poshmark.com/listing/1-Day-Sale-Strapless-Bra-Solution-Bra-Strap-5a0149644127d048df00b080?ad_partner=google&campaign_id=1067542%E2%80%A6.

Dritz, "Fashion Straps," website, available at least as early as Dec. 17, 2018, available at https://www.joann.com/clear-straps-with-rhinestones/9543505.html?utm_source=google&utm_medium=cpc&gclid=Cj0KCQiAr93gBRDSARIsADvHiOoe%E2%80%A6.

Jackie G-String, "Rhinestone Bra Straps," website, available at least as early as Dec. 17, 2018, available at <https://poshmark.com/listing/>

Unique-Accessory-Rhinestone-Bra-Straps-5b19f91934a4ef76833912e9?utm_source=gdm&ad_partner=google&L_con=%E2%80%A6.

Bella's Lingerie, Inc., "Pin Straps," website, available at least as early as Dec. 17, 2018, available at <https://www.walmart.com/ip/Stunning-Two-Row-Silver-Decorative-Rhinestones-Crystal-Bra-Straps-w-Pin-On-Bra-Hooks-16/511211748?wmlspartner=%E2%80%A6>.

Tatishotties, "Rhinestone bra straps diamante shoulder dress straps sexy body jewelry," website, available at least as early as Dec. 17, 2018, available at https://www.etsy.com/listing/170591623/rhinestone-bra-straps-diamante-shoulder?gpla=1&gao=1&utm_source=google&utm_medium=cpc&utm_campaign=E2%80%A6.

Tatishotties, "Rhinestone sexy bunny bra straps shoulder dress straps crystals jeweled dress," website, available at least as early as Dec. 17, 2018, available at https://www.etsy.com/listing/66836681/rhinestone-sexy-bunny-bra-straps?gpla=1&gao=1&utm_source=google&utm_medium=cpc&utm_campaign=s%E2%80%A6.

Victoria'S Secret, "The T-Shirt Lightly Lined Demi Bra," website, available at least as early as Jul. 24, 2018, available at <https://www.victoriassecret.com/bras/lightly-lined-and-demi/lightly-lined-demi-bra-the-t-shirt?ProductID=419217&CatalogueType=OLS>.

* cited by examiner

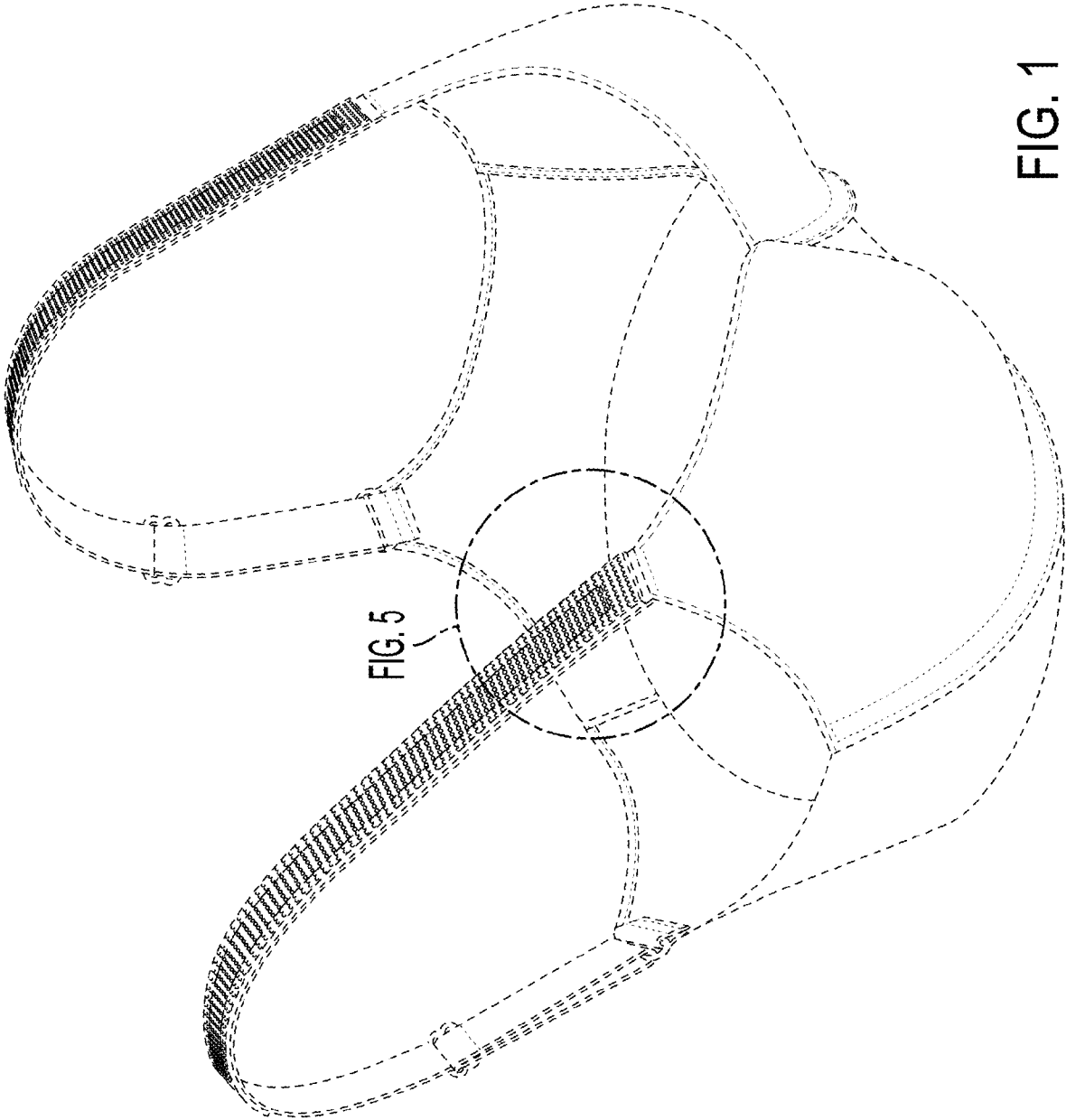


FIG. 5

FIG. 1

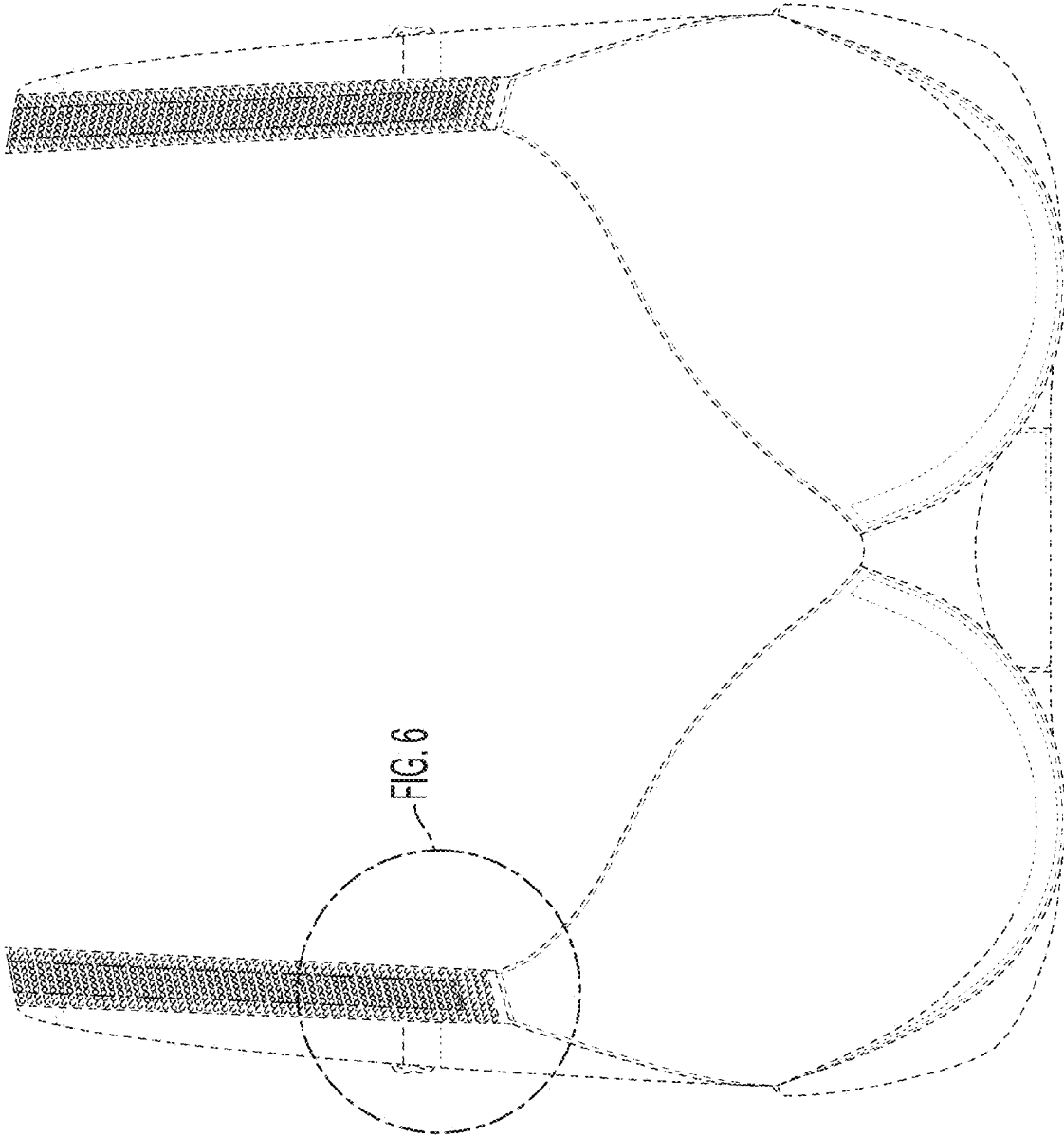


FIG. 6

FIG. 2

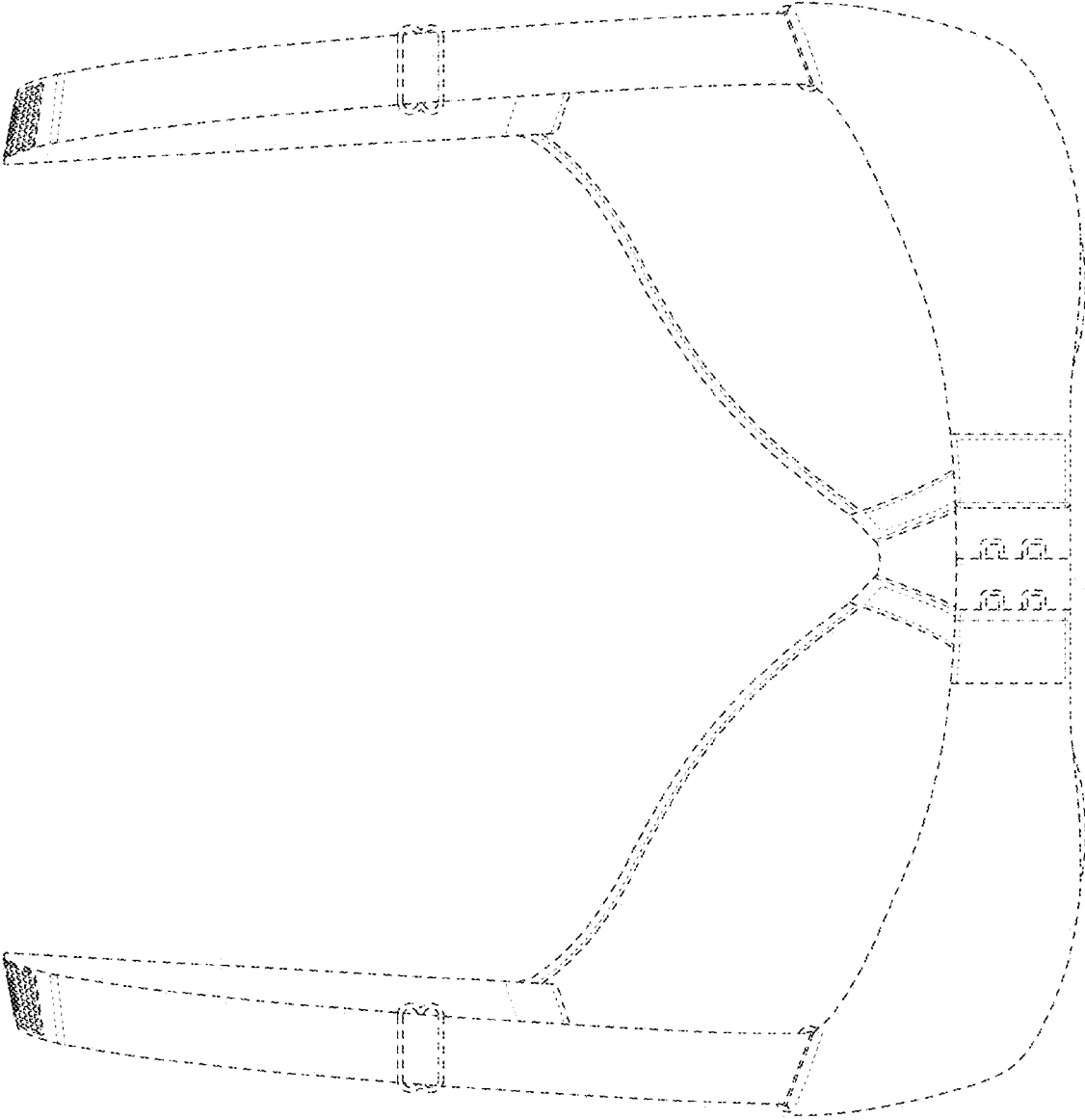


FIG. 3

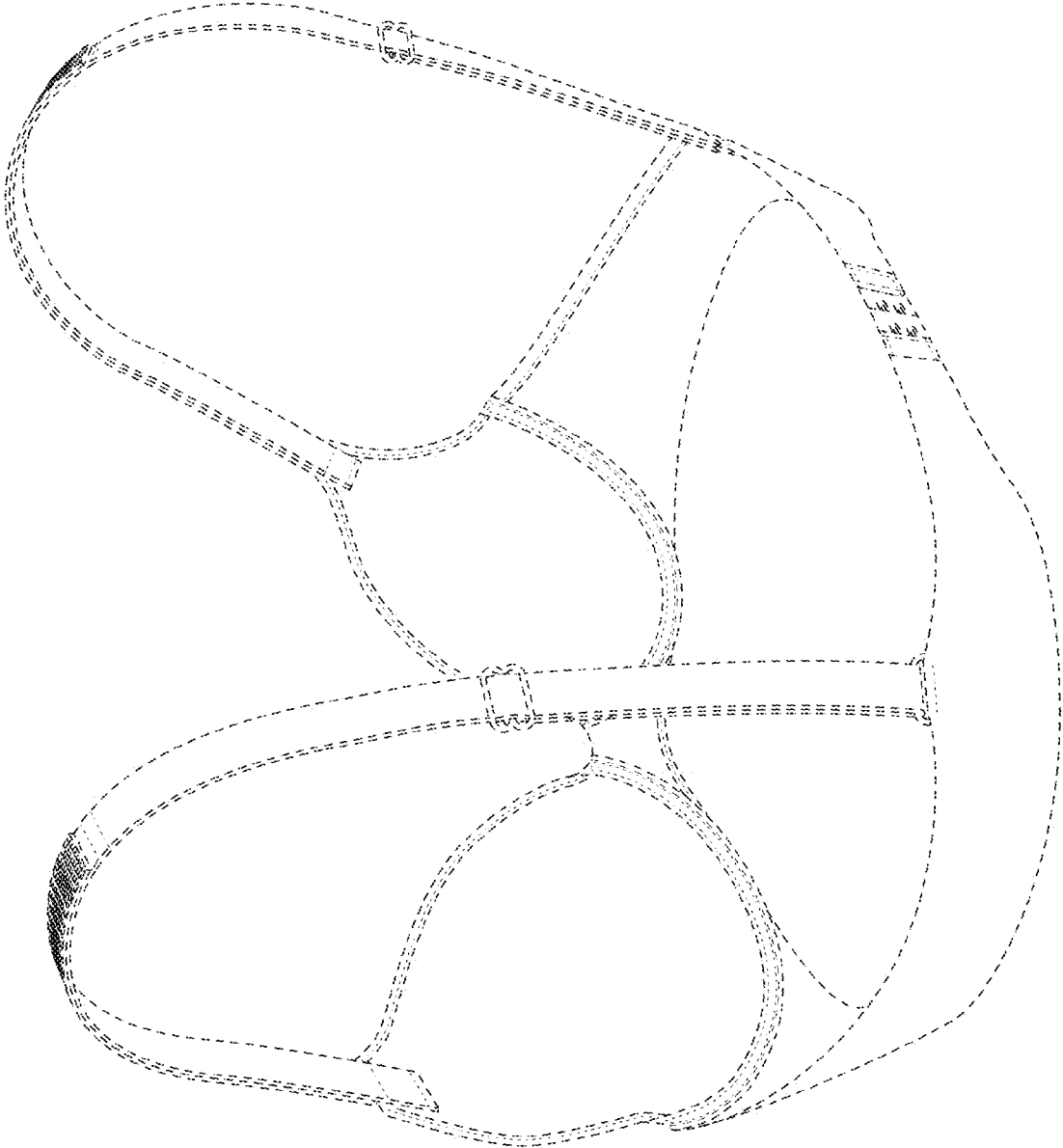


FIG. 4

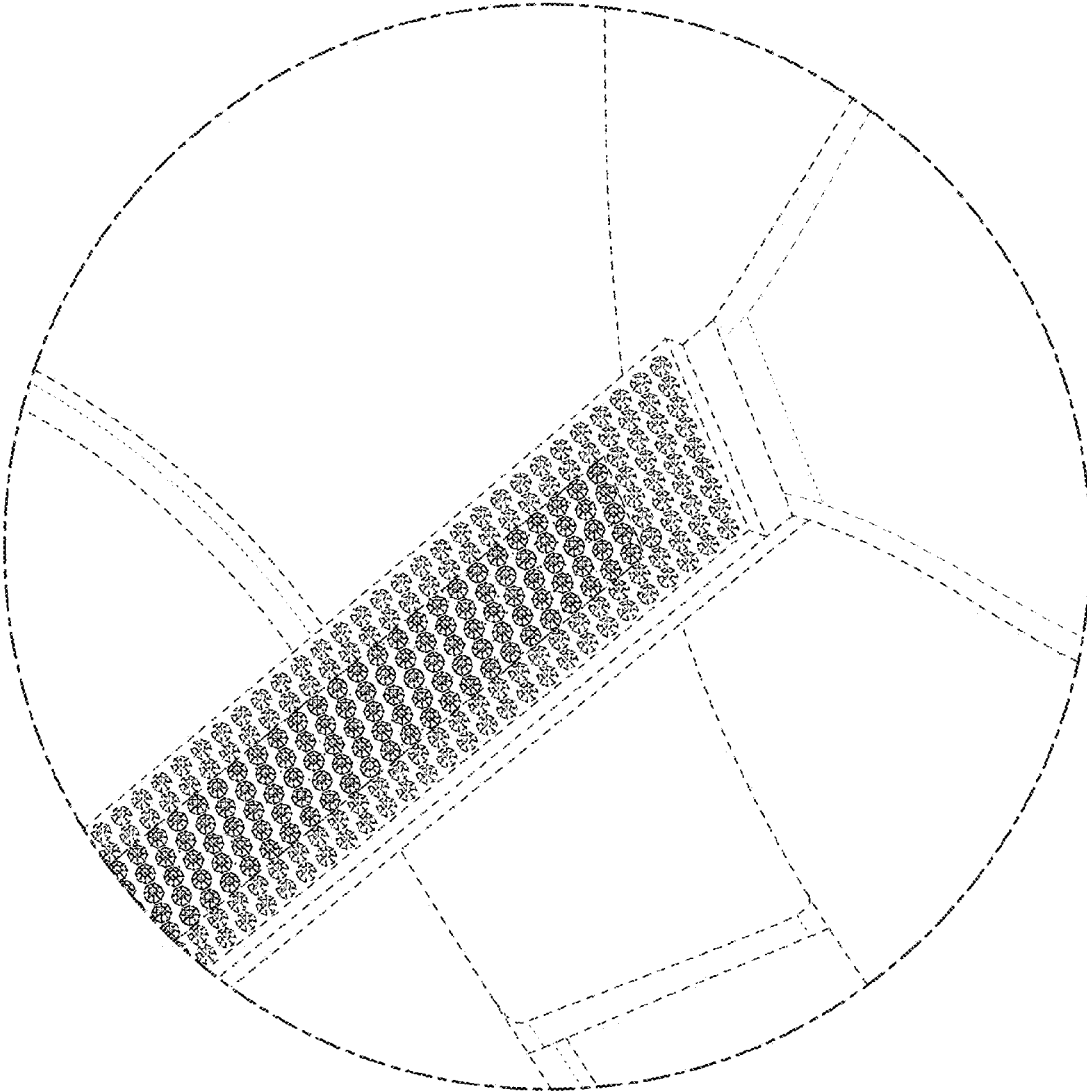


FIG. 5

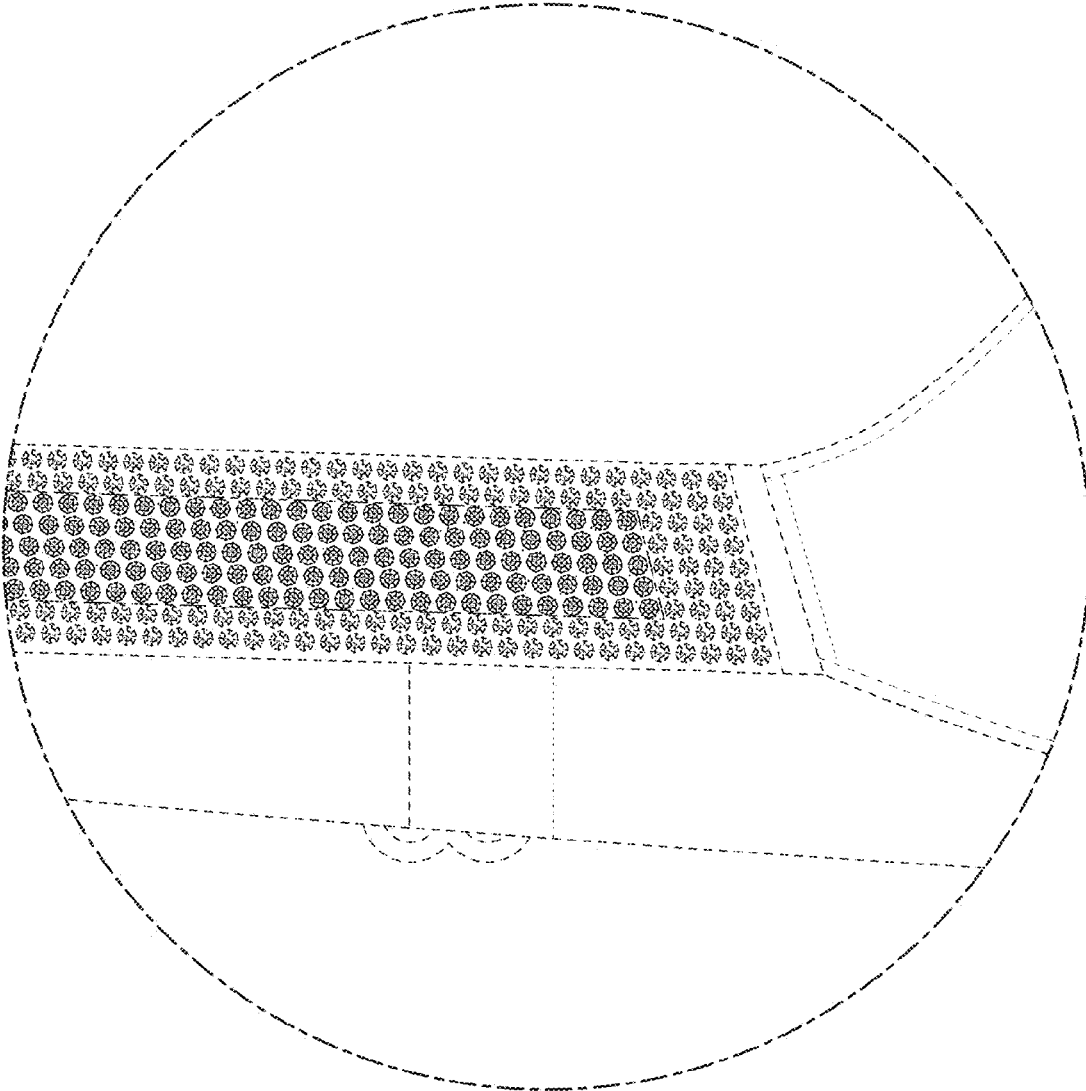


FIG. 6